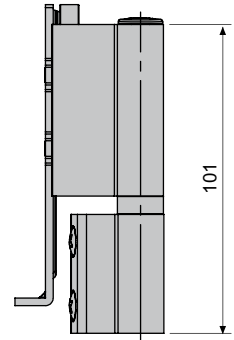
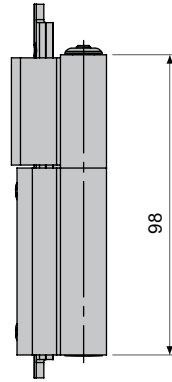


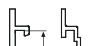


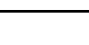
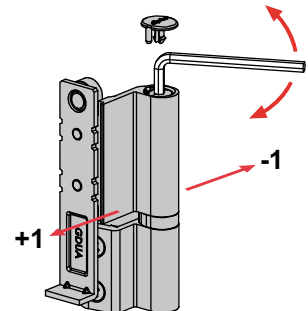
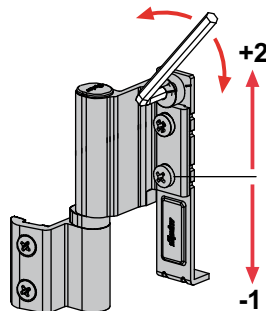
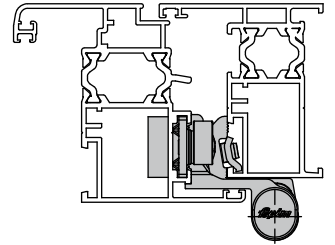
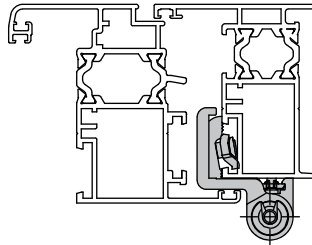
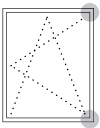
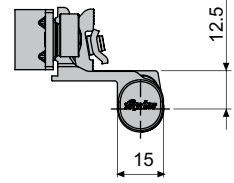
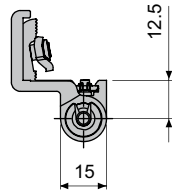


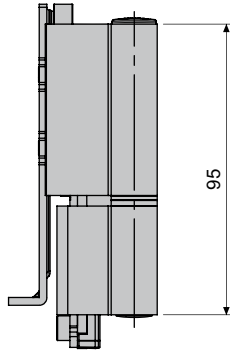
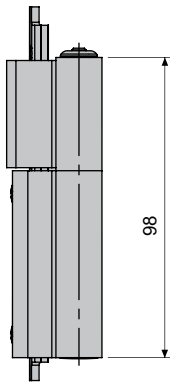
1401Ai



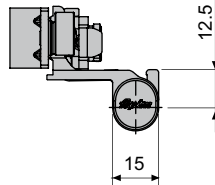
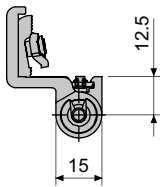
		 Kg	
1401Ai		110	50
			
			
			





C.E.

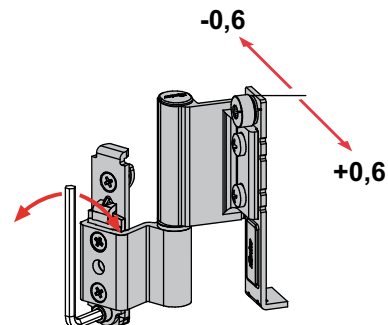
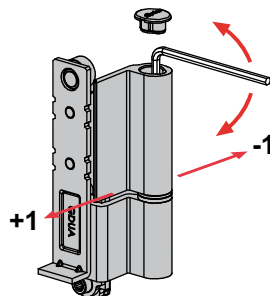
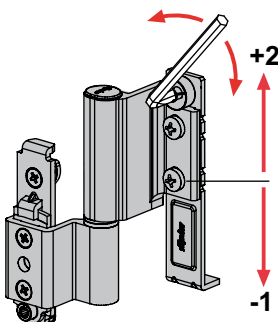
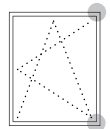
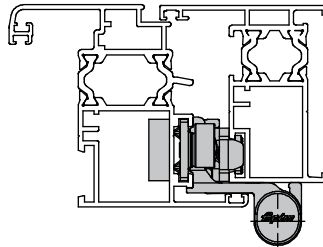
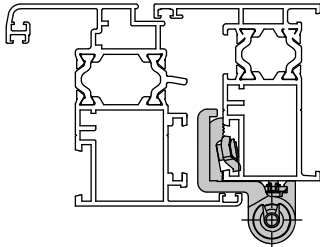




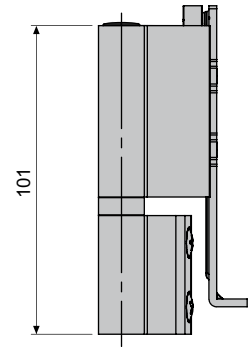
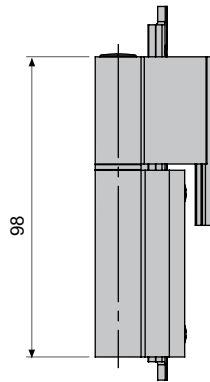
1402Ai
1402Bi



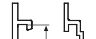

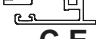



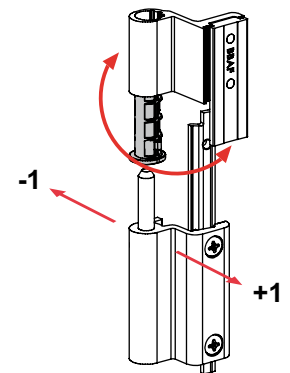
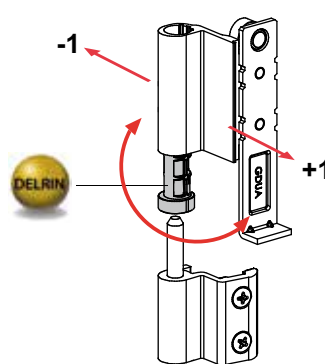
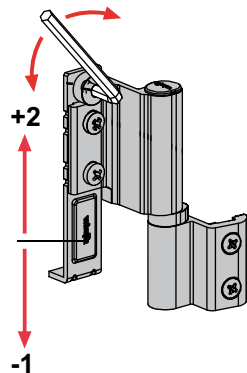
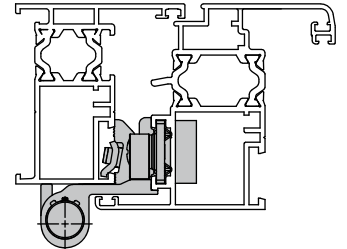
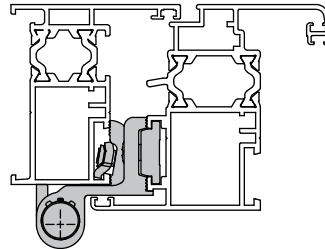
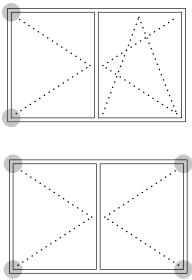
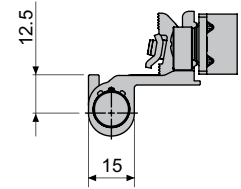
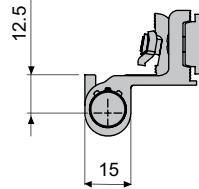
		 Kg	
1402Ai	 13.6x16.8 14x18 C.E.	130	50
1402Bi	 10x14.5 12x15 C.E.		



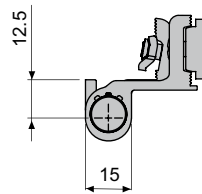
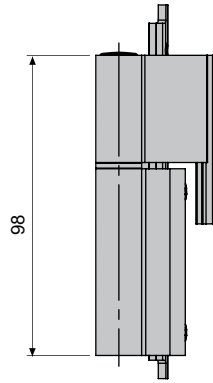
1404AI



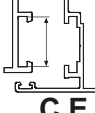


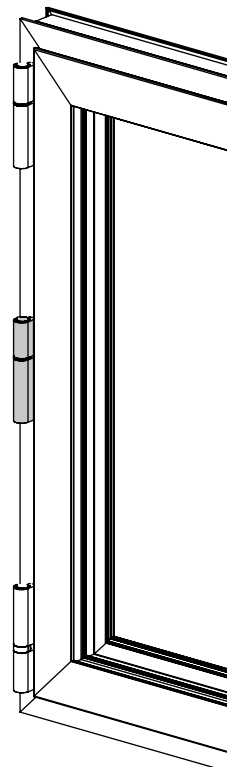
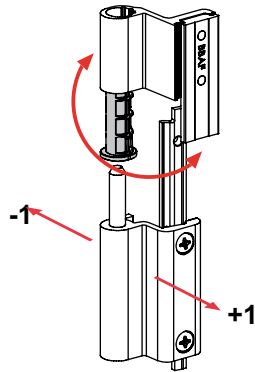
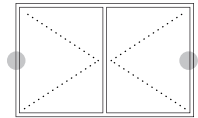
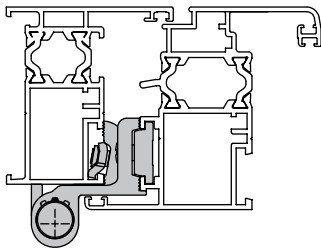
		 Kg	
1404Ai		130	50
			
			
			
C.E.			



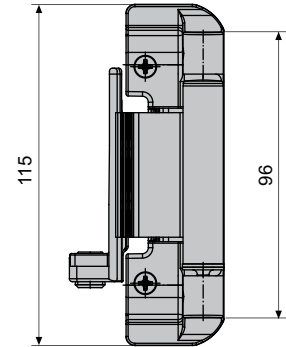
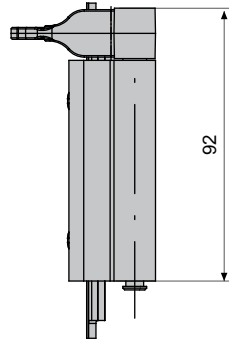
1409A




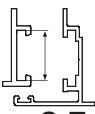
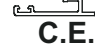


		
1409A	 10x14.5 12x15 13.6x16.8 14x18	50

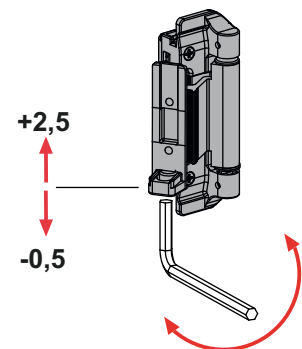
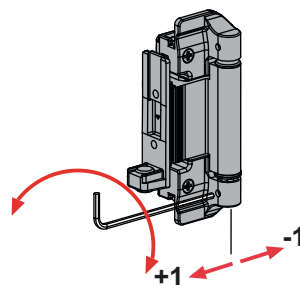
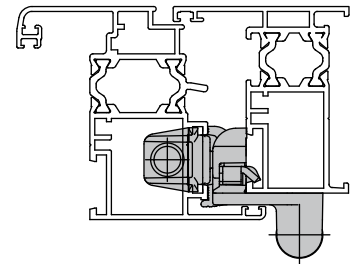
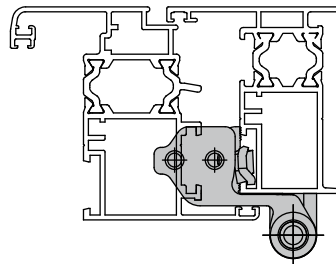
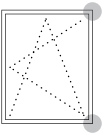
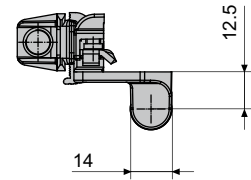
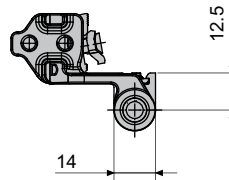


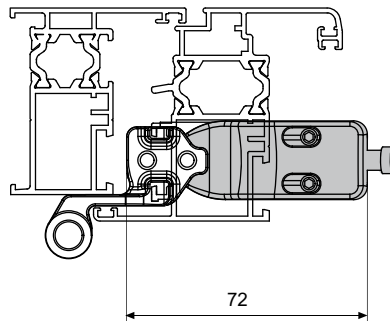
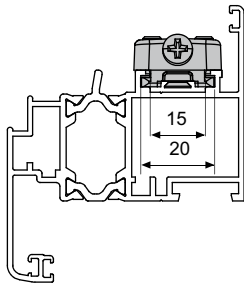
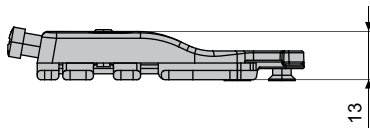
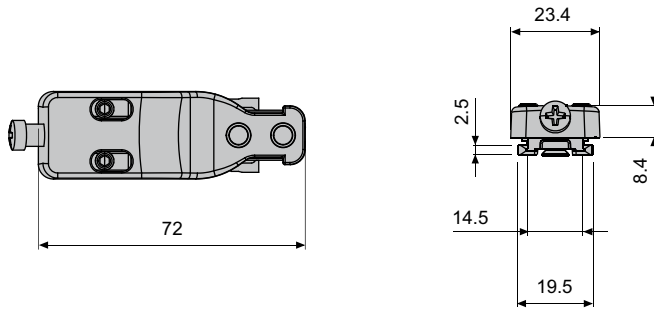
1405
1405i



		 Kg	
1405		10x14.5 12x15 13.6x16.8	10
1405i		14x18	50

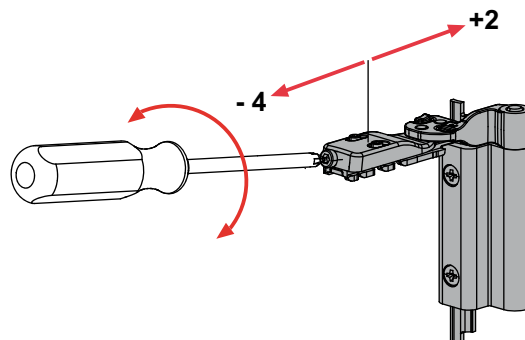
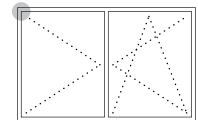
C.E.



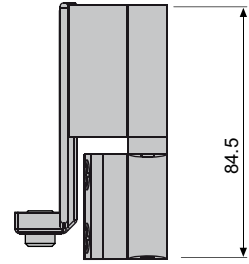
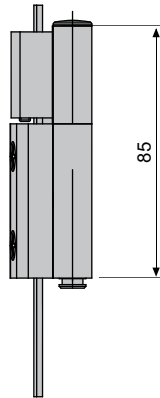


1406

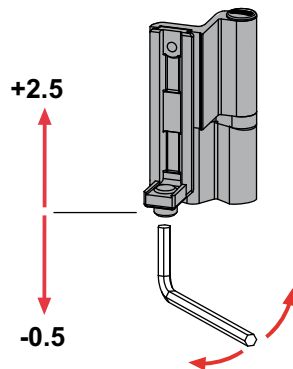
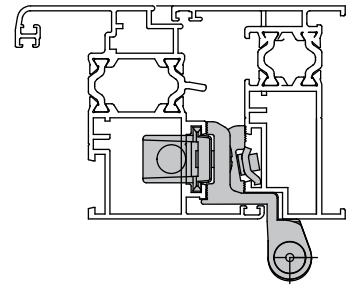
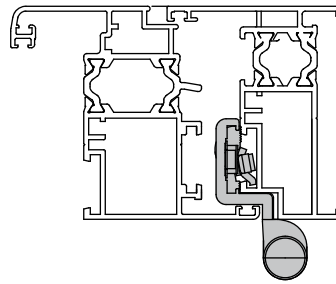
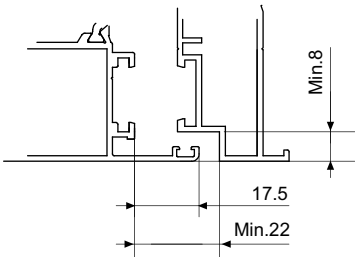
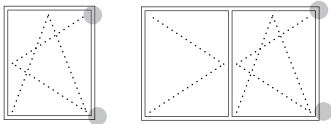
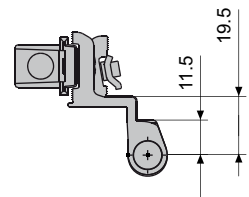
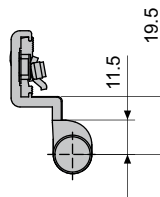
1406	 C.E.	50

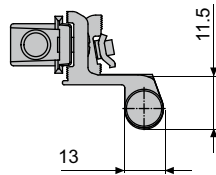
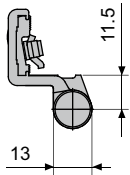
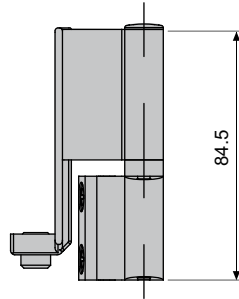
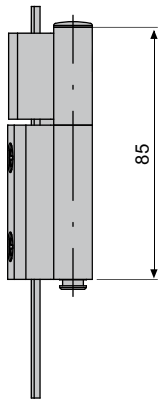


1407C



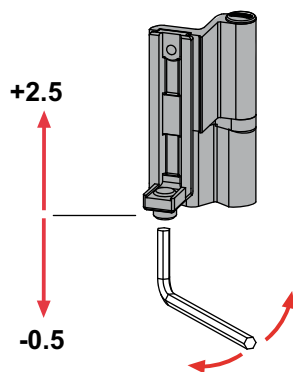
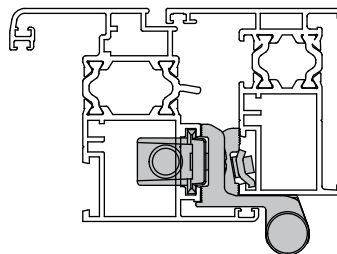
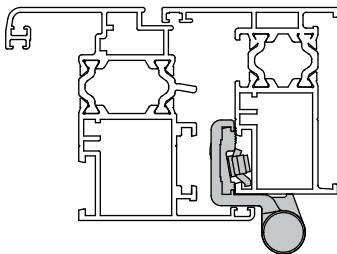
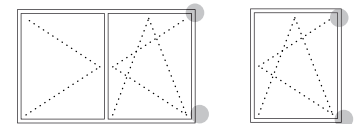
		Kg	
1407C		90	10
	10x14.5		
	12x15		
	13.6x16.8		
	14x18		



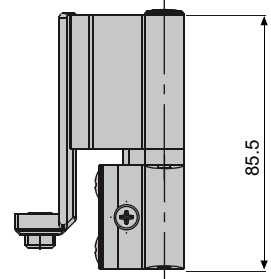
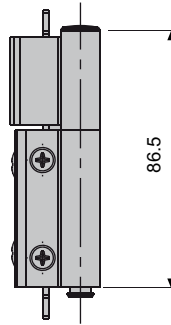





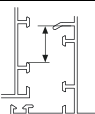
1407i

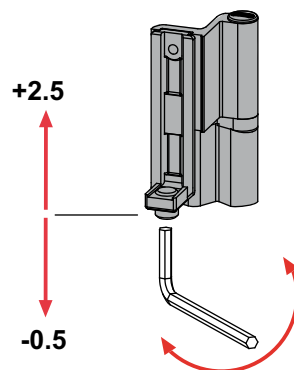
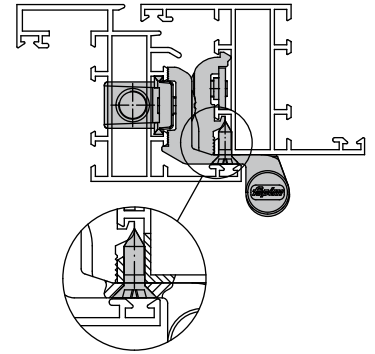
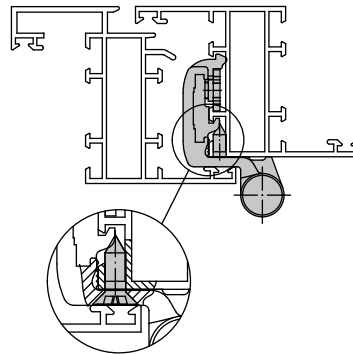
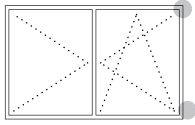
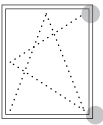
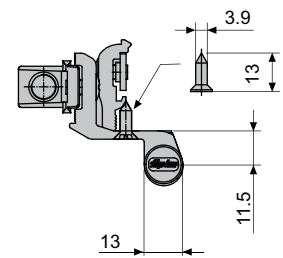
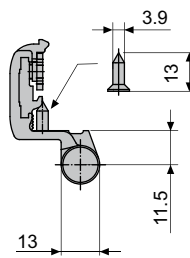
		Kg	
1407i	C.E.	90	50
		10x14.5 12x15 13.6x16.8 14x18	



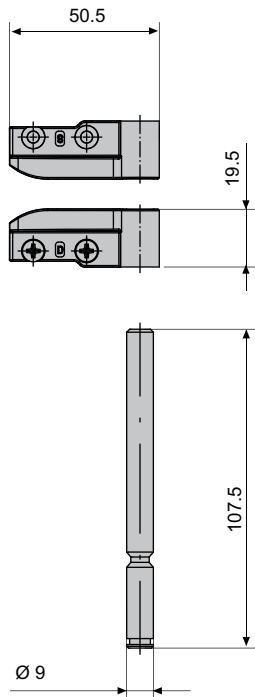
1407R
1407RI



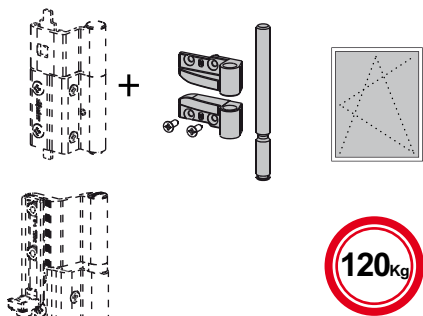
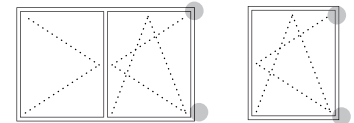
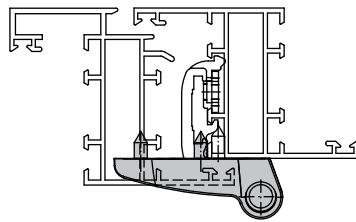
			
	Kg		
1407R		90	10
1407Ri	R40 15x18		50



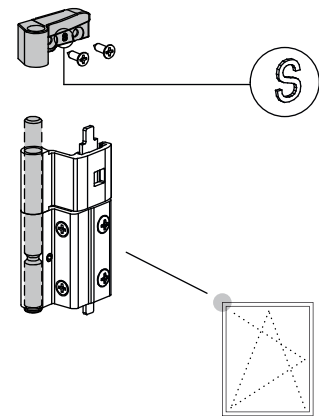
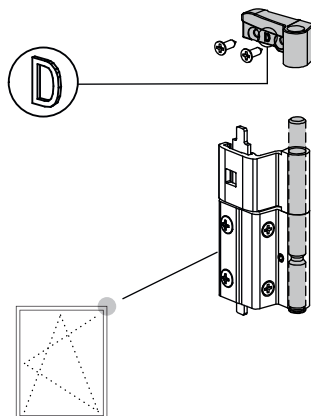
1407RB



		Kg	
1407RB		120	10




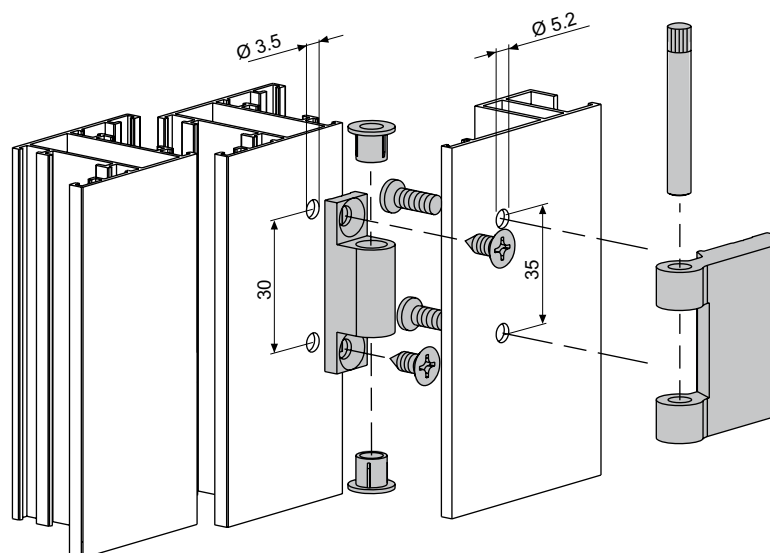
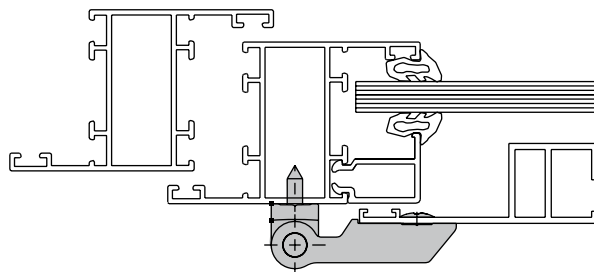
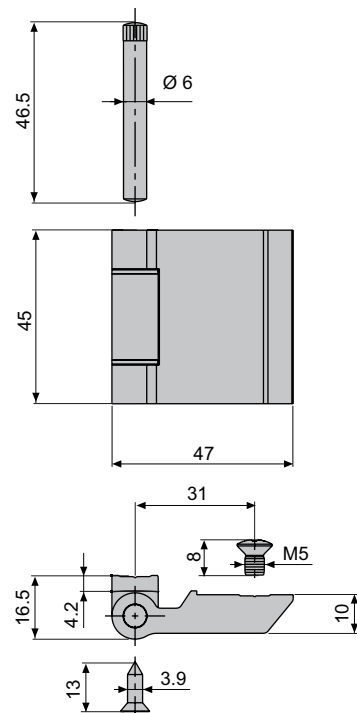
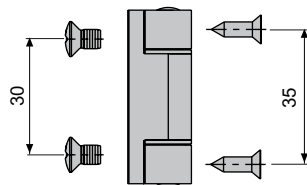
Art. 1407R
 Art. 1407Ri

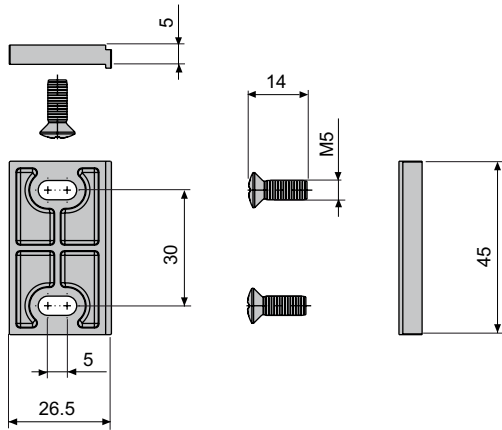


9051
9052

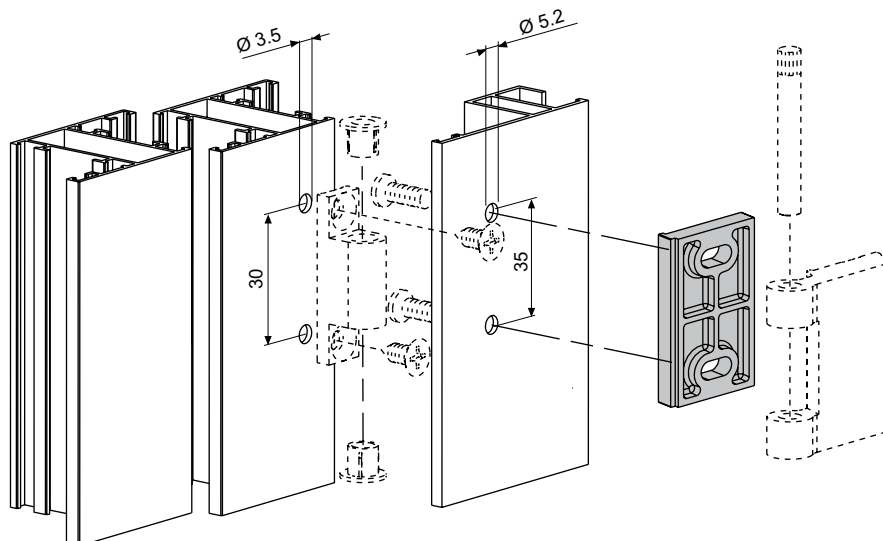
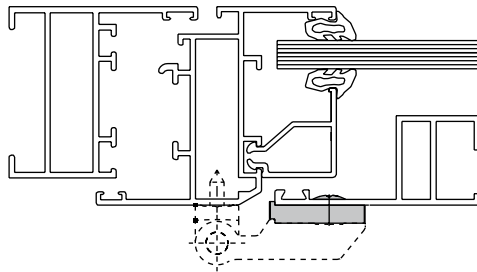
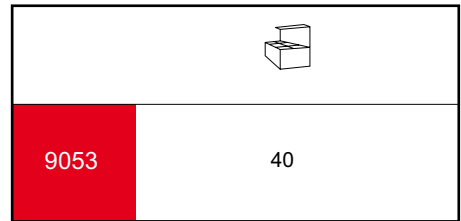


	
9051	40
9052	2x20

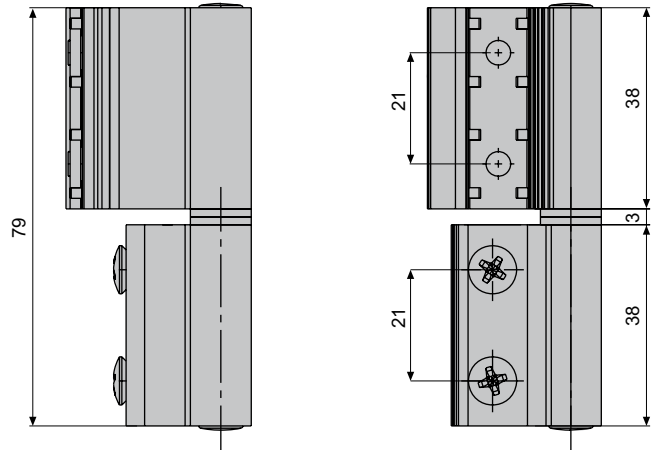




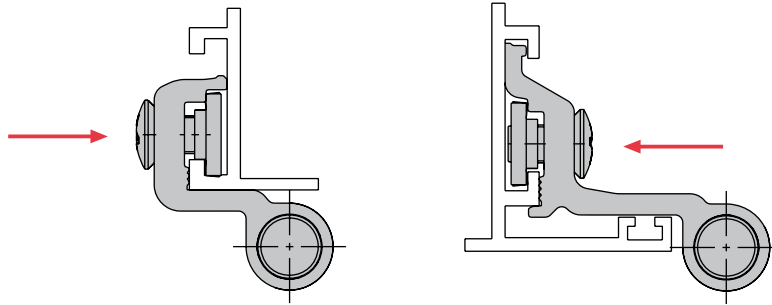
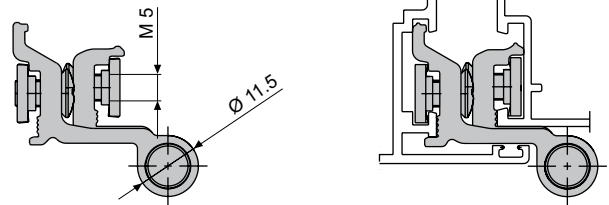
9053

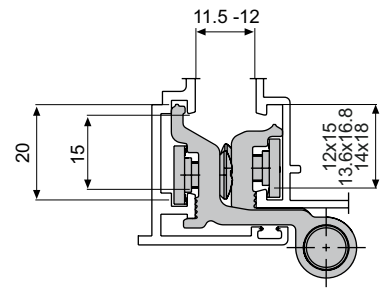
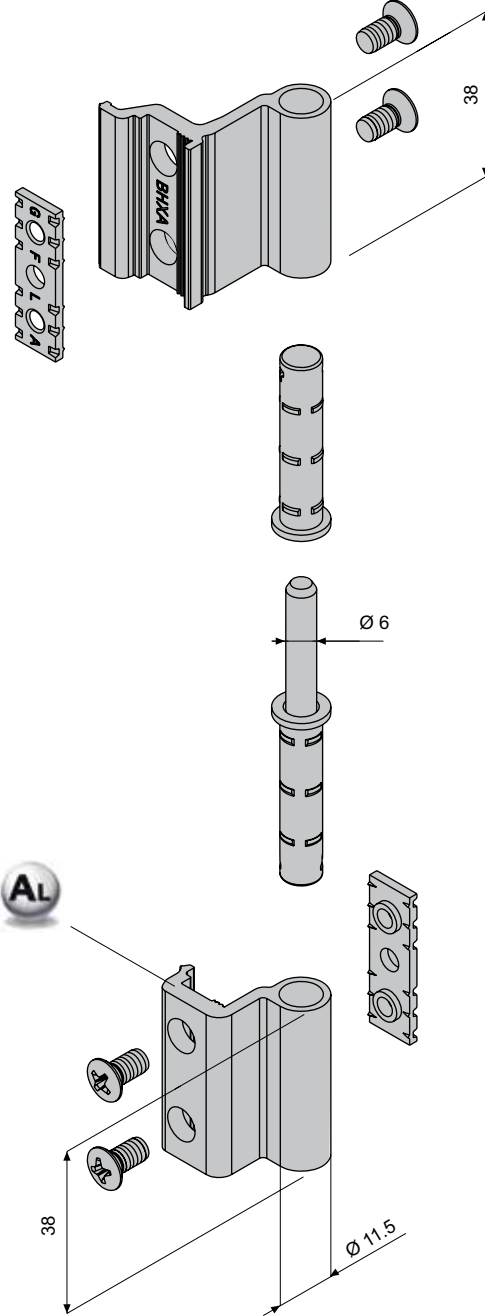


9727B
9797C



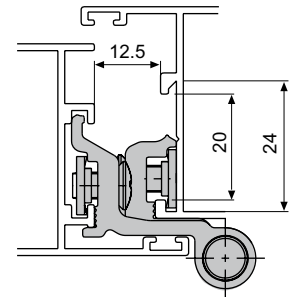
9727B	 12x15 13.6x16.8 14x18 C.E.	50
9727C	 20x24	





C.E.

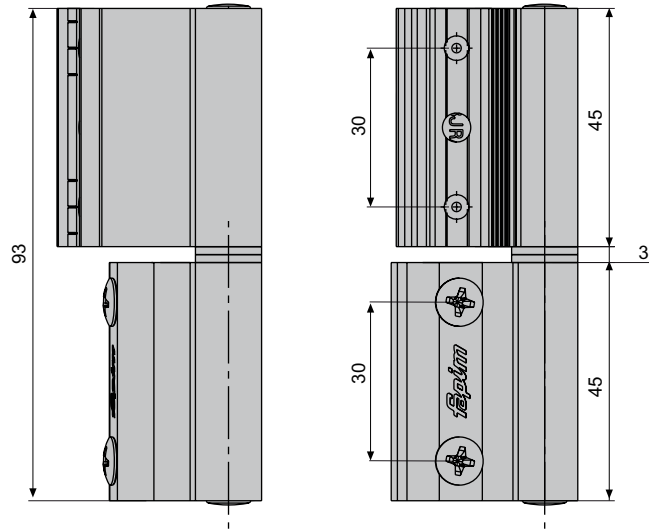
9727B



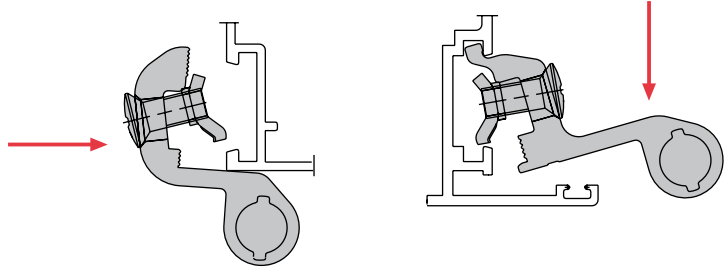
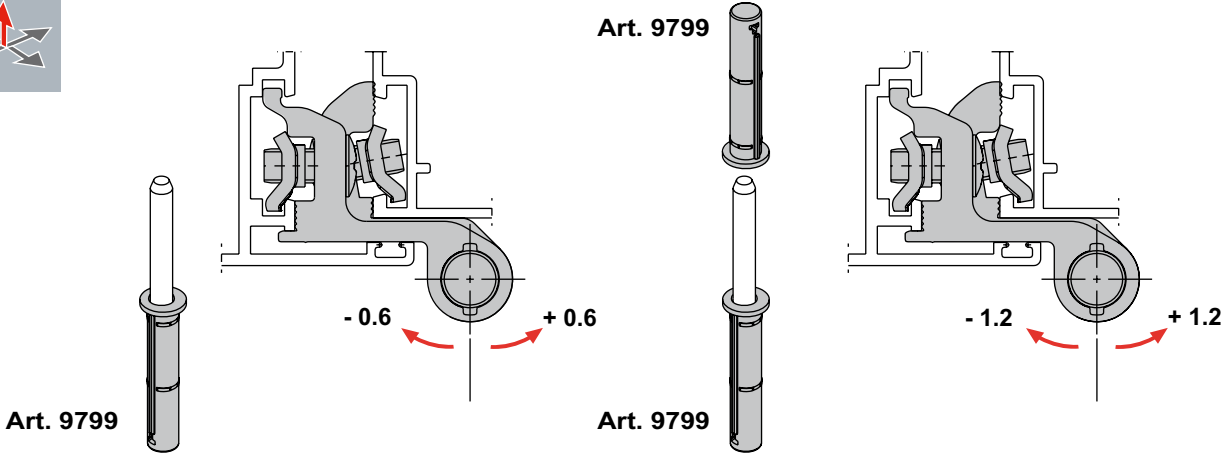
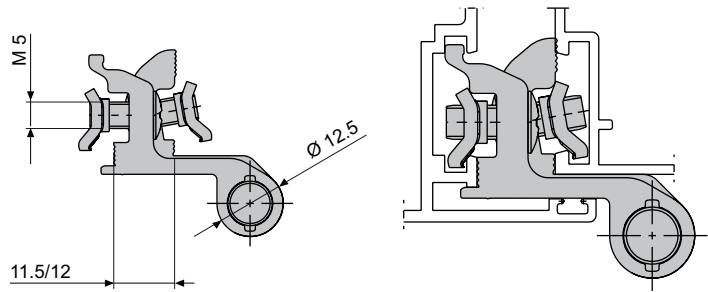
9727C

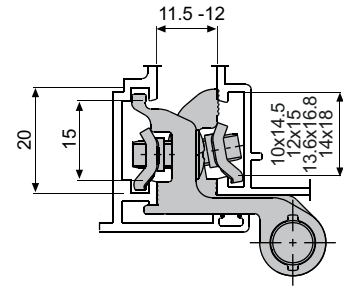
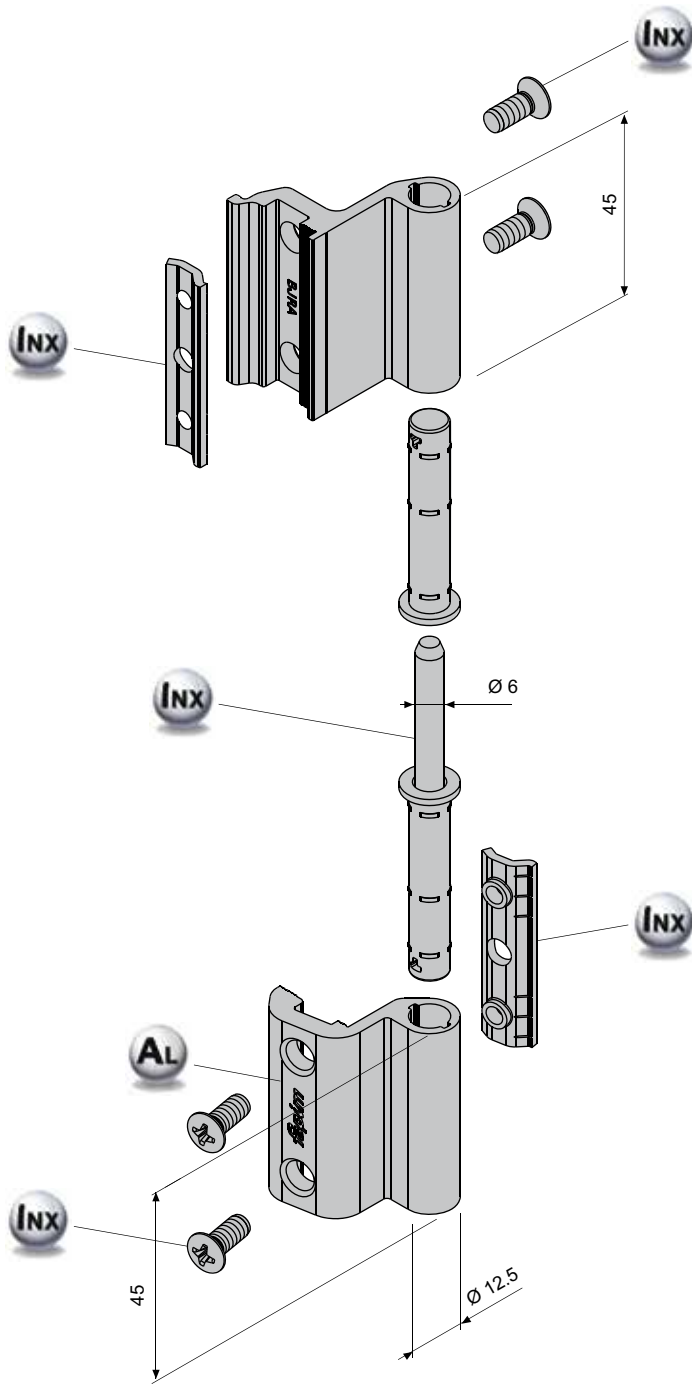
9727B
9797C

9730
 9730D
 9730T

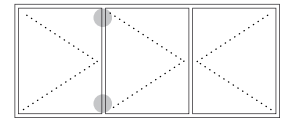
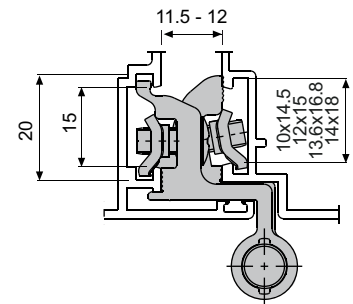


9730 9730T	 C.E.	10x14.5 12x15 13.6x16.8 14x18
9730D		50 2x25





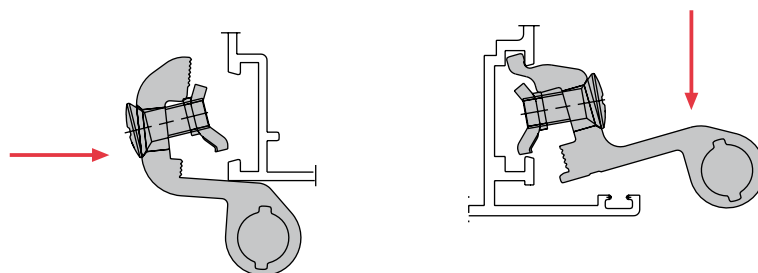
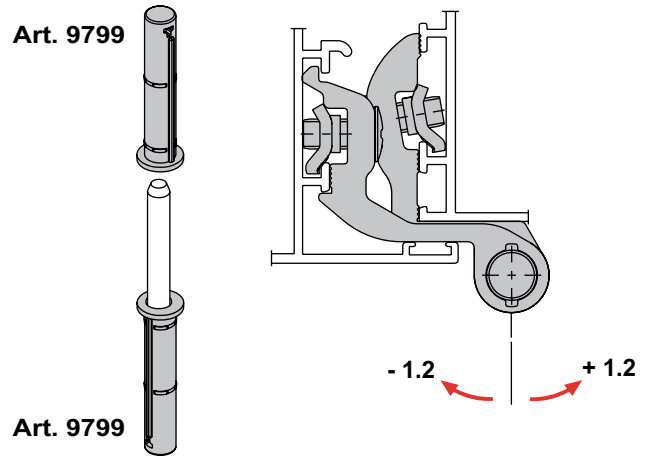
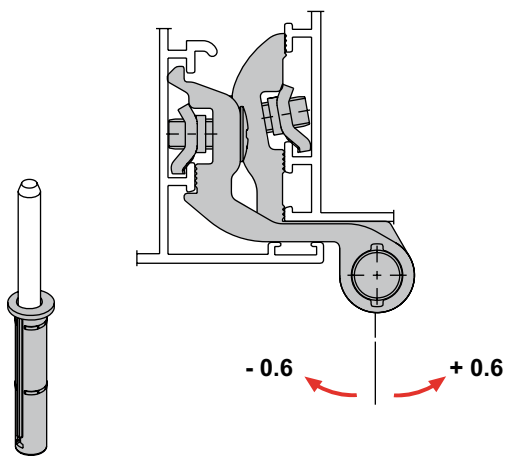
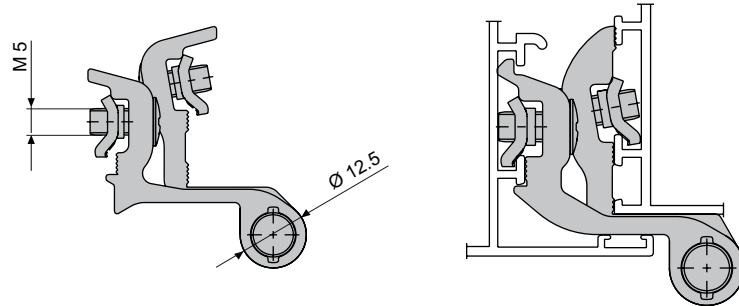
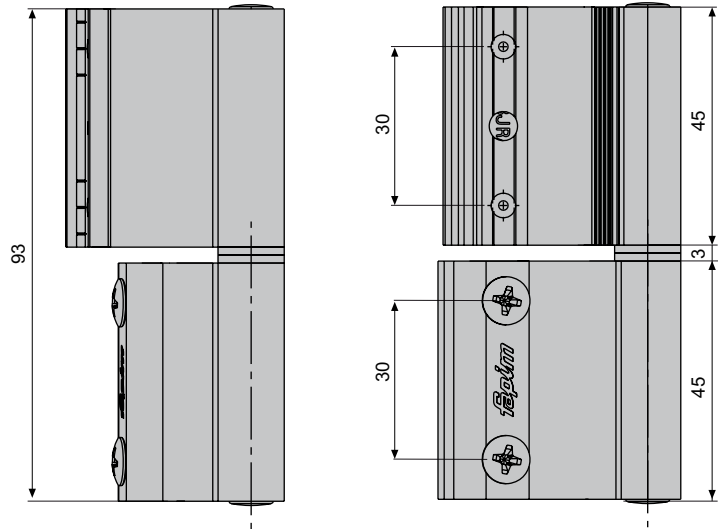
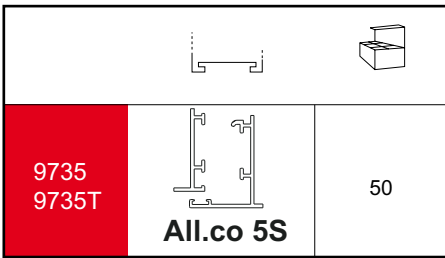
C.E. **9730 - 9730D**



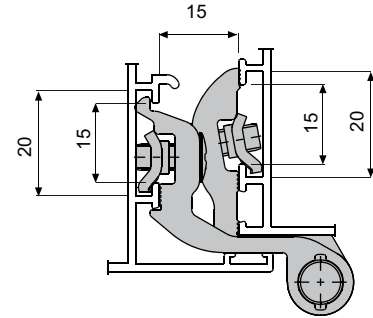
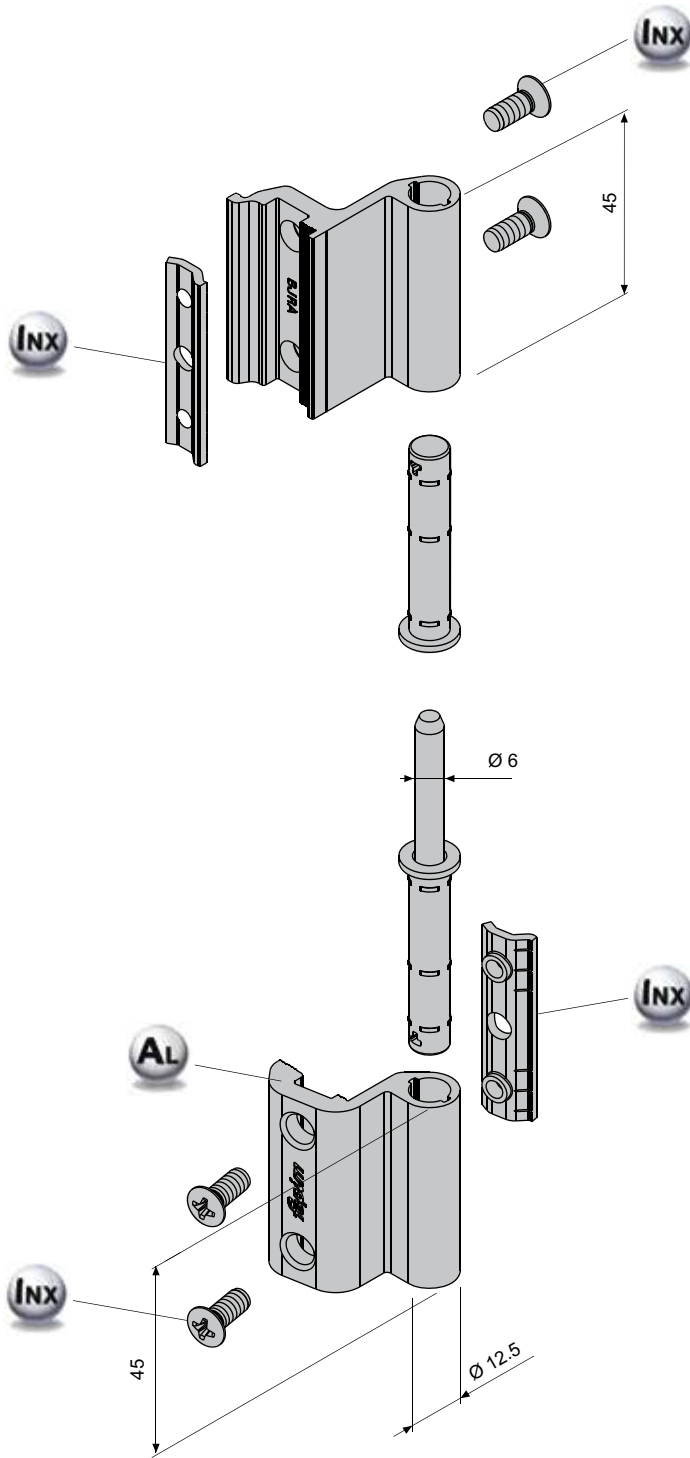
C.E. **9730T**

9730
9730D
9730T

9735
9735T

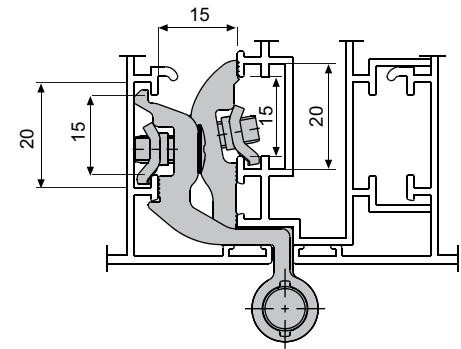


**9735
9735T**



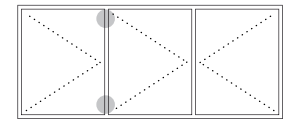
ALL.CO 5 S

9735



ALL.CO 5 S

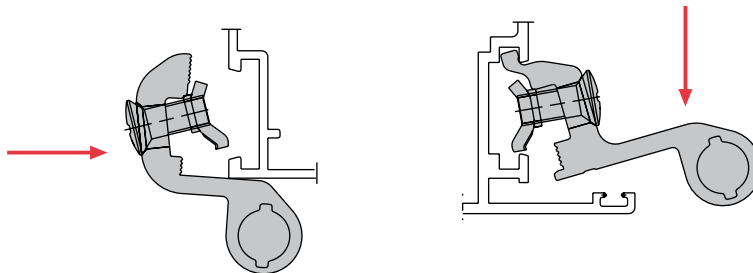
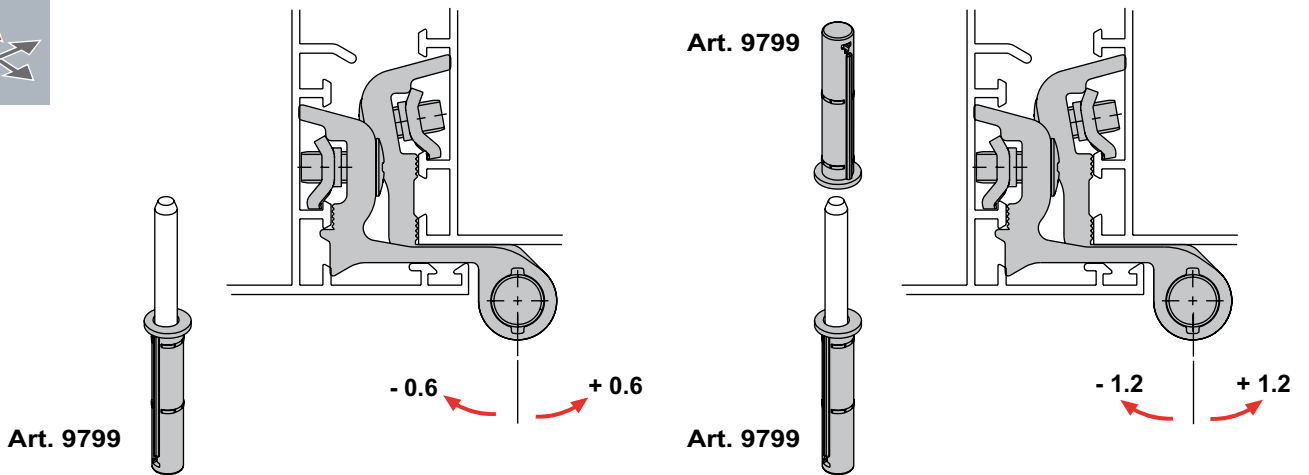
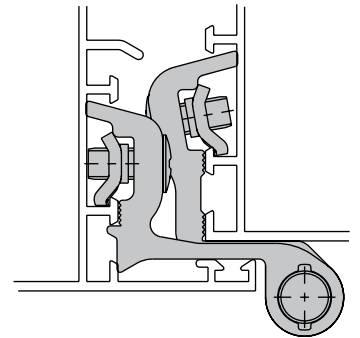
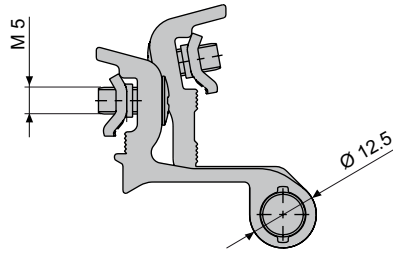
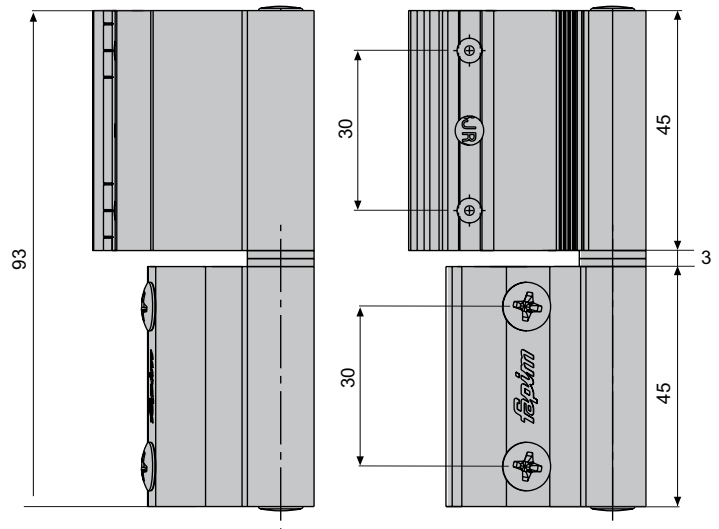
9735T

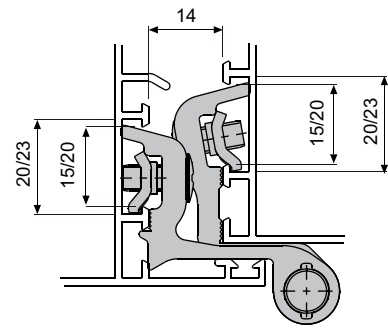
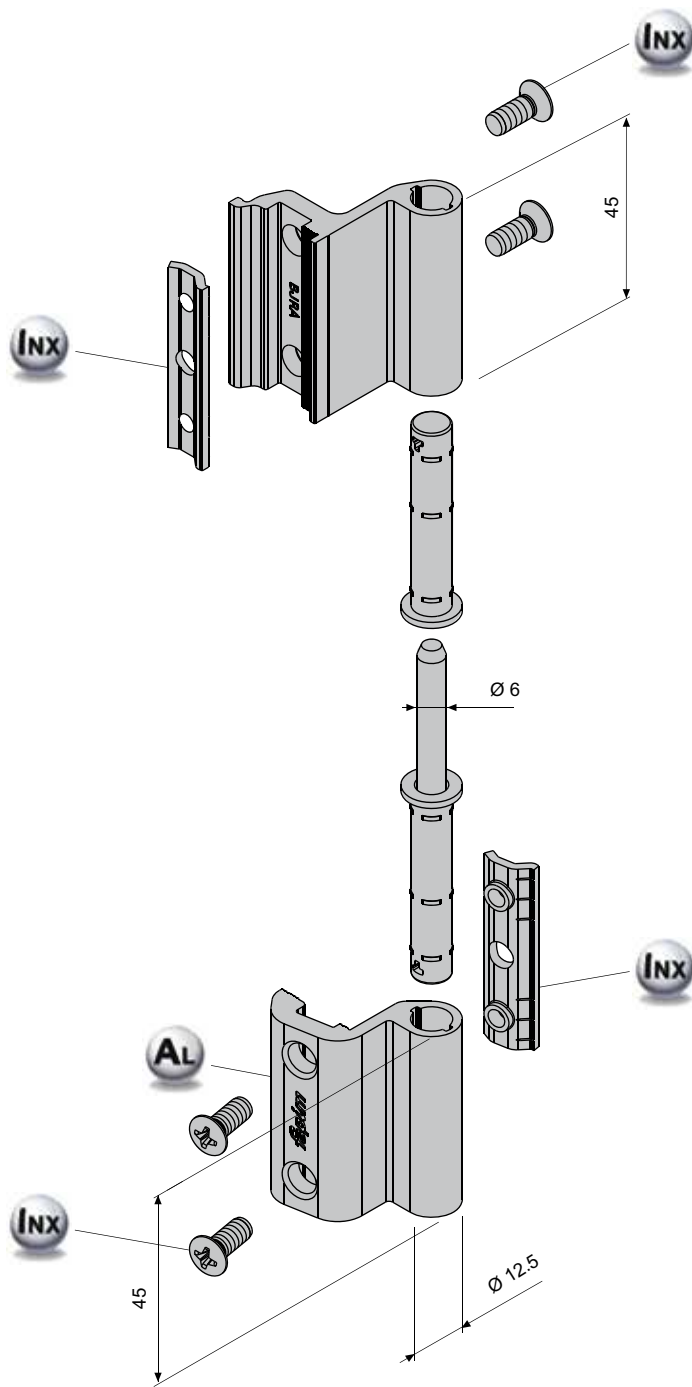


9741
 9741T
 9742



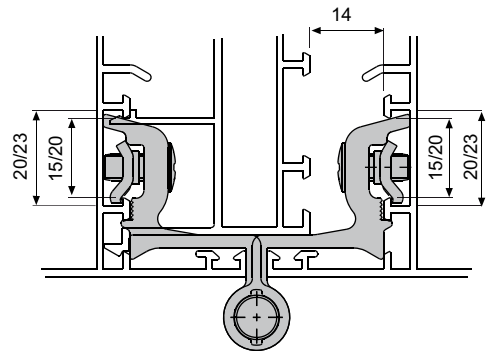
9741 9741T 9742	 R40 R50	50
-----------------------	--------------------	----





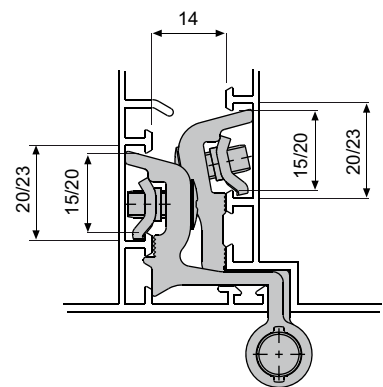
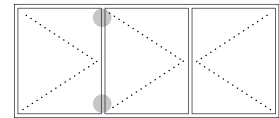
R40/R50

9741



R40/R50

9741T

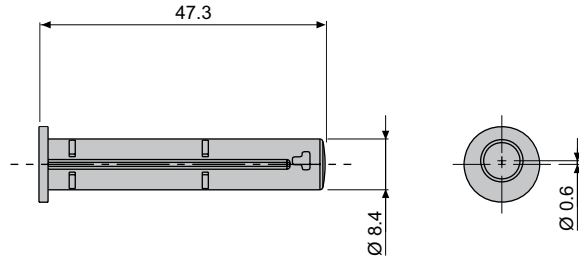


R40/R50

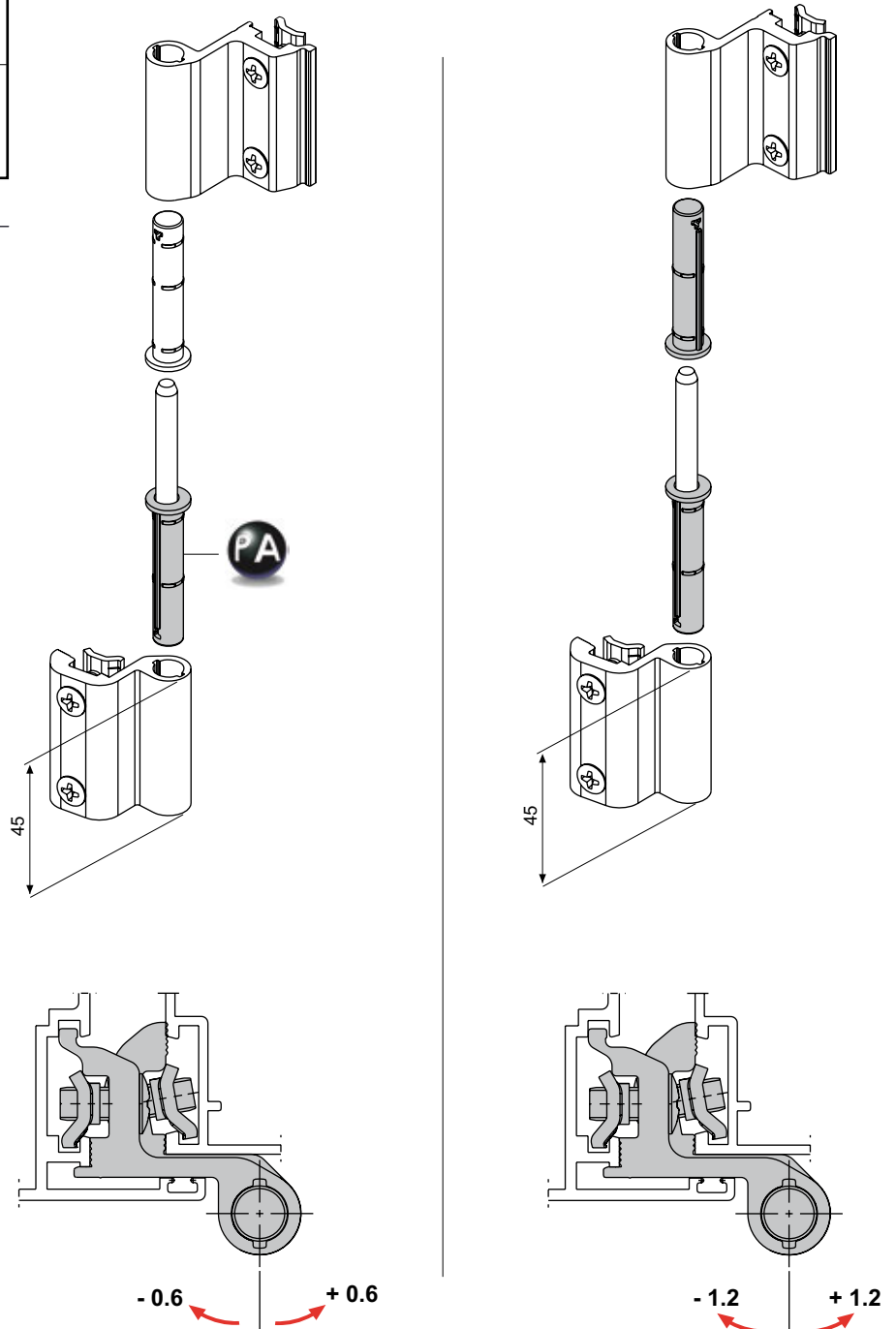
9742

9741
 9741T
 9742

9799



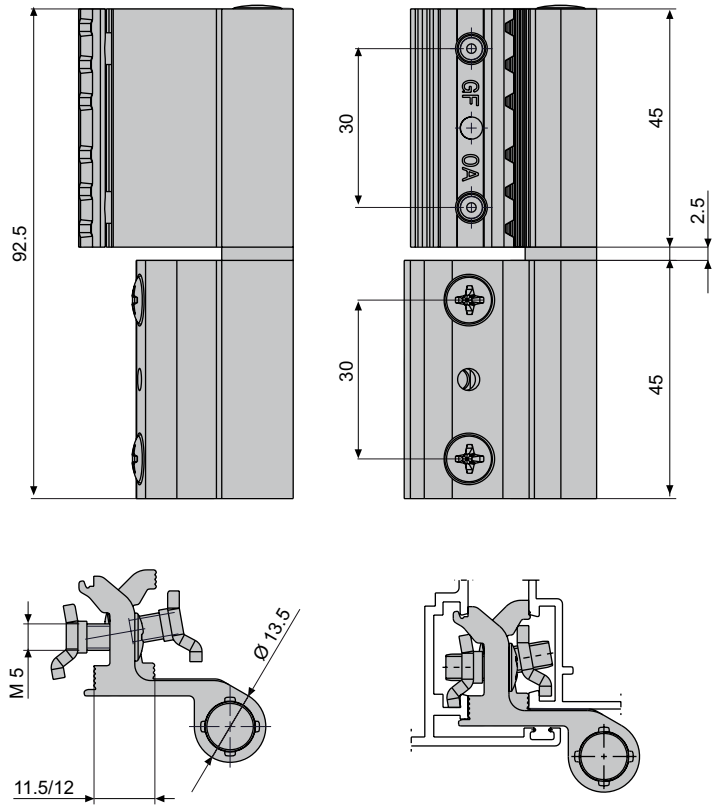
9799	BLITZ	100



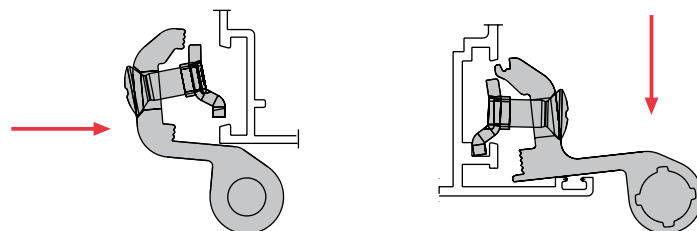
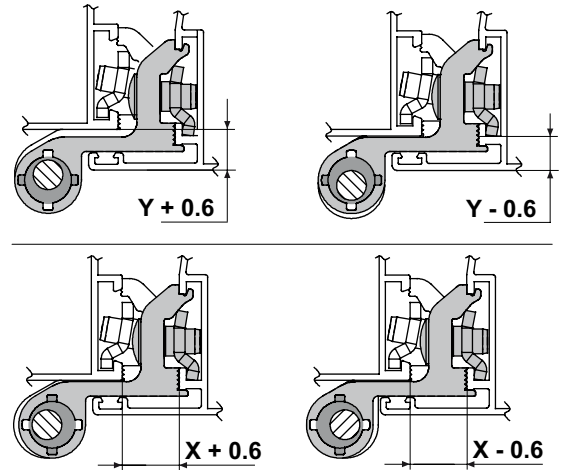
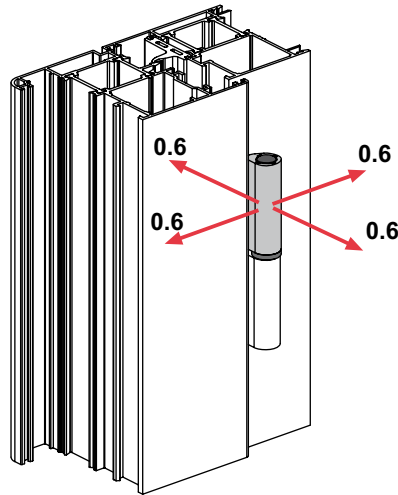
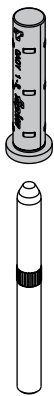
9800A
 9800D
 9800S
 9801A



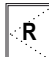

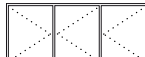


9800A	10x14.5	50
9800D	12x15	
9800S	13.6x16.8	
9801A	14x18	

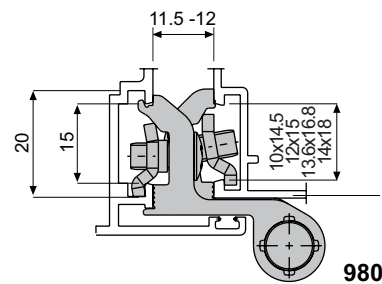
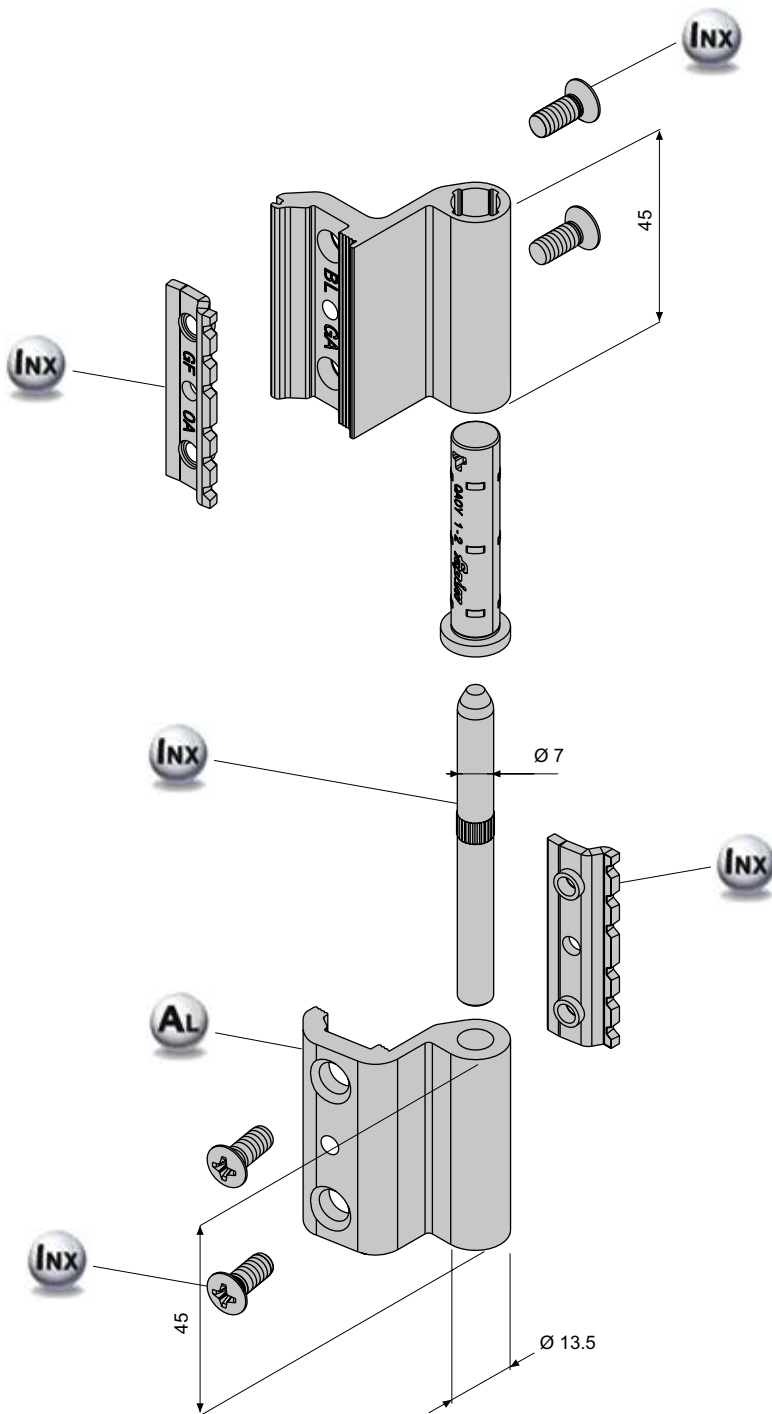


Art. 9828Z

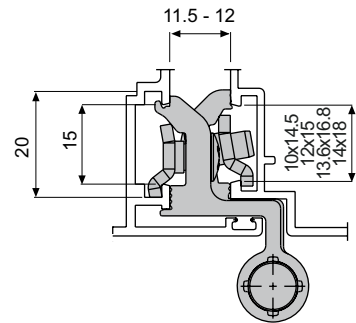


					
9800A	•		•	•	
9800D		•	•		
9800S		•		•	
9801A	•		•	•	•

9800A
 9800D
 9800S
 9801A

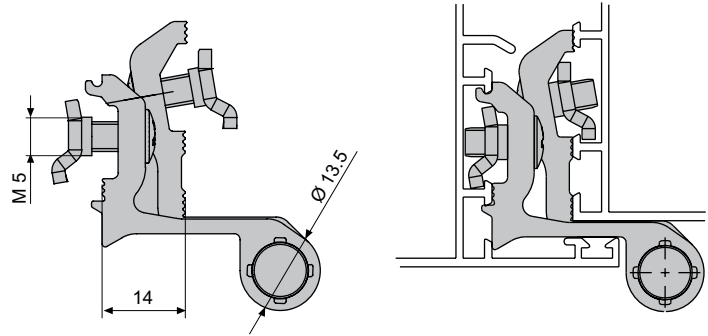
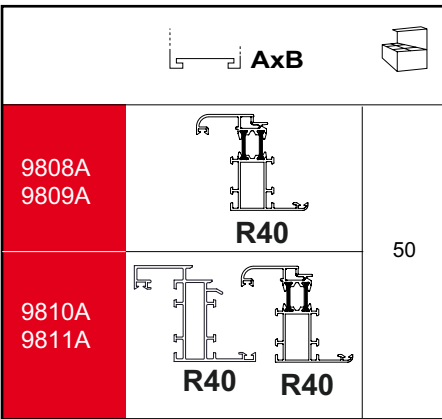
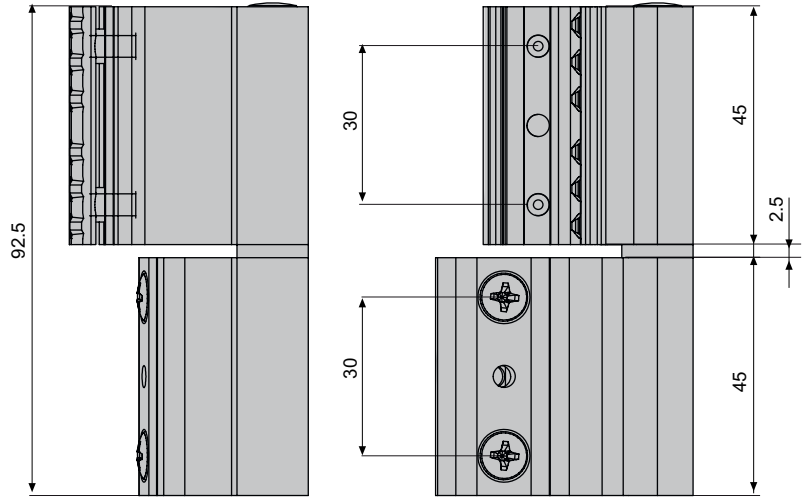


C.E. 9800A
 9800D
 9800S

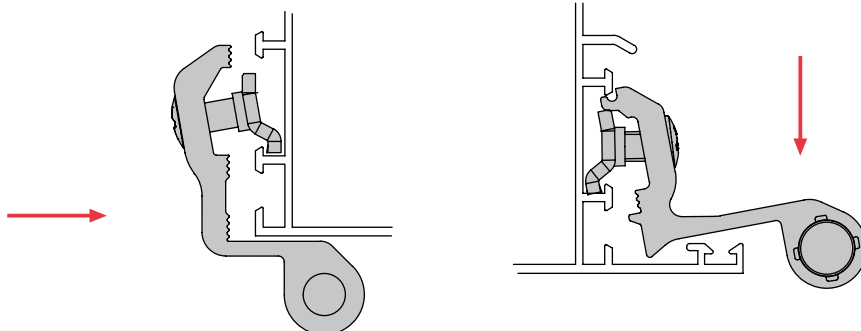
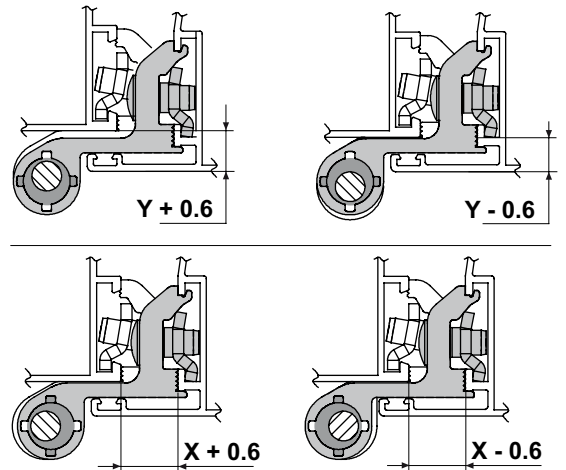
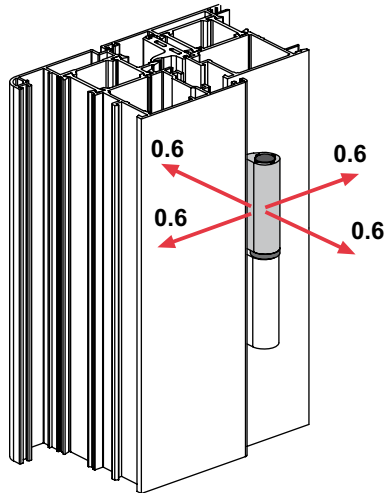
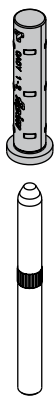





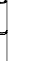
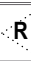















C.E. 9801A

9808A
 9809A
 9810A
 9811A

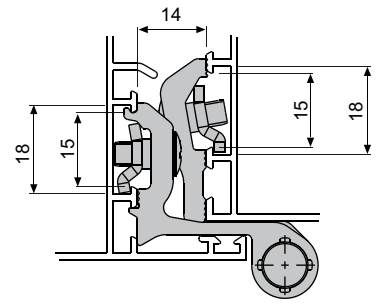


Art. 9828Z



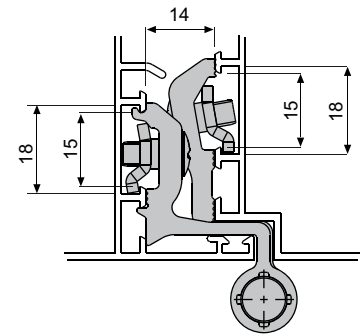
										
										
9808A	•			•	•					
9809A	•			•	•					•
9810A	•			•	•					
9811A	•			•	•					•

9808A
 9809A
 9810A
 9811A



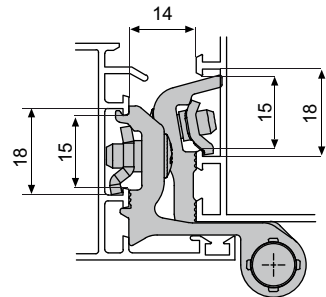
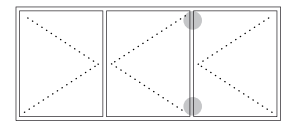
R40

9808A



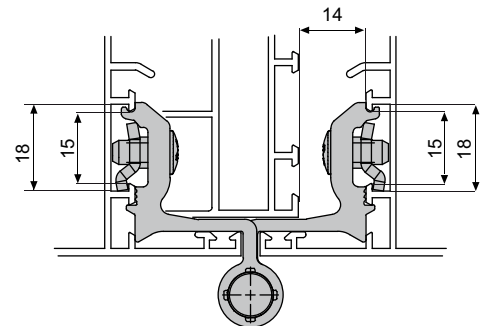
R 40

9809A



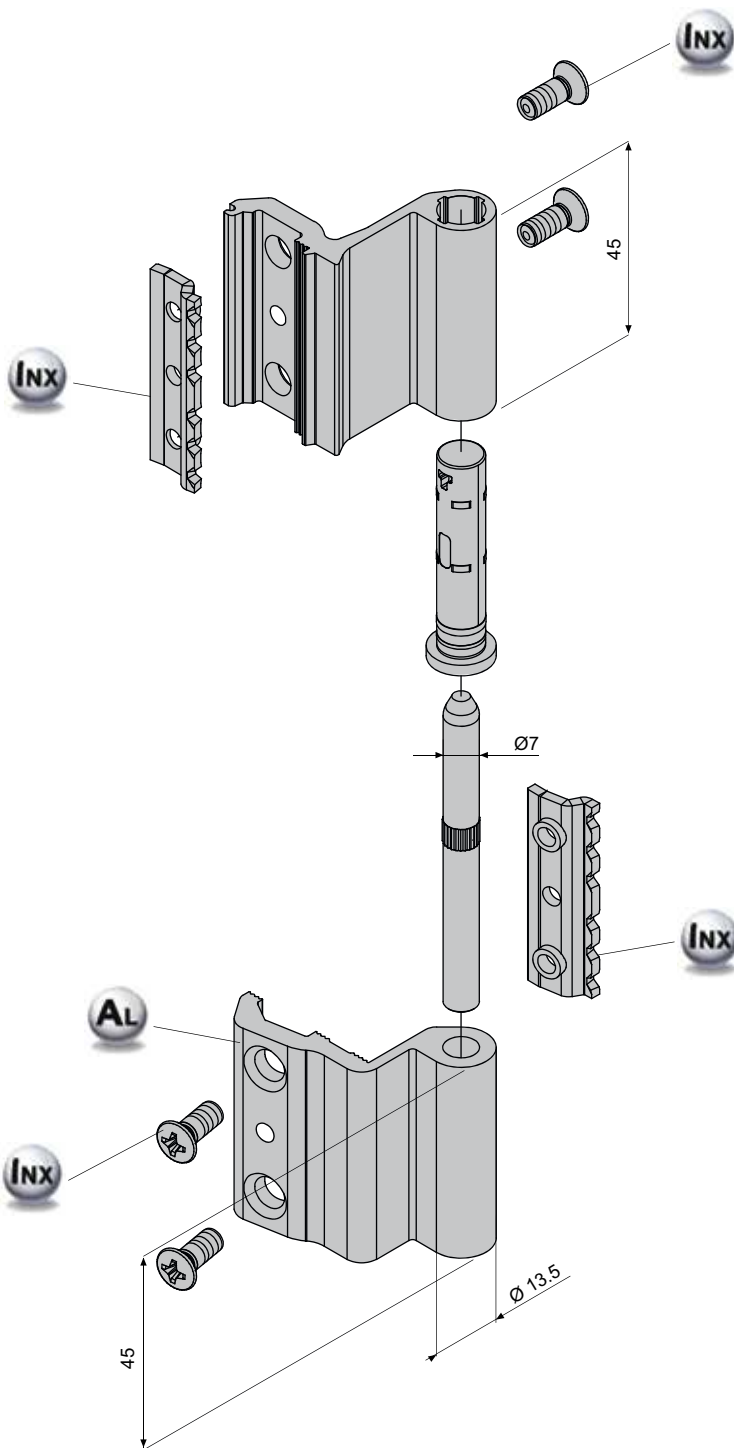
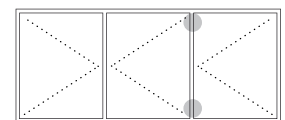
R40

9810A

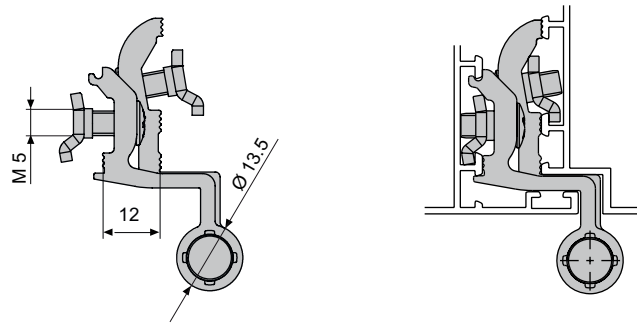
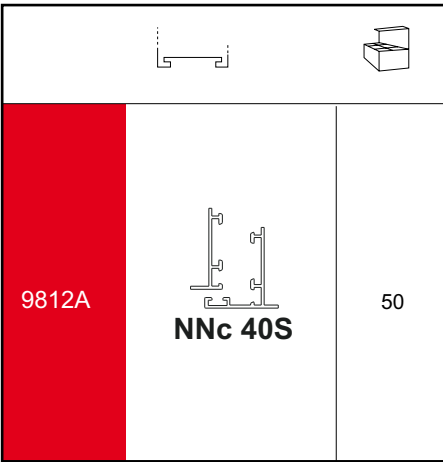
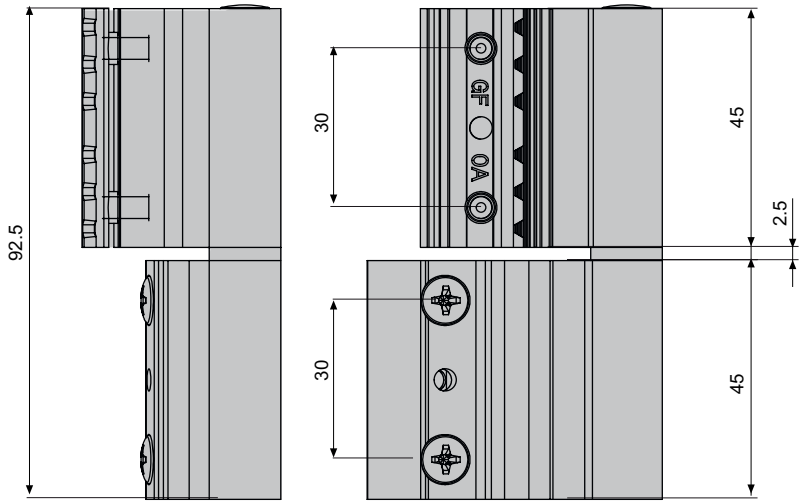


R40

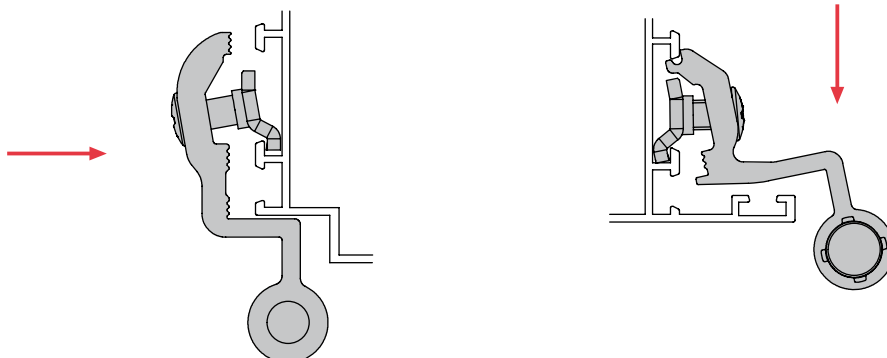
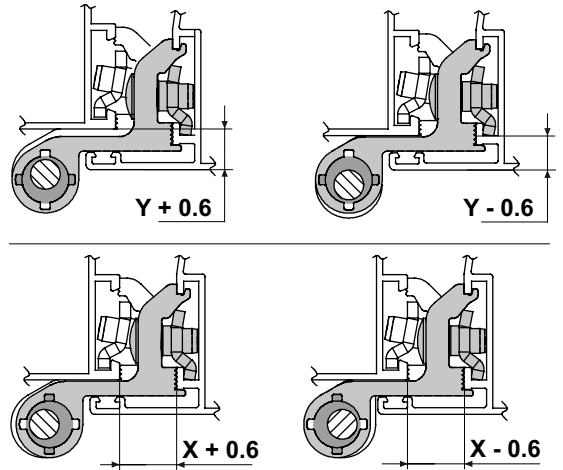
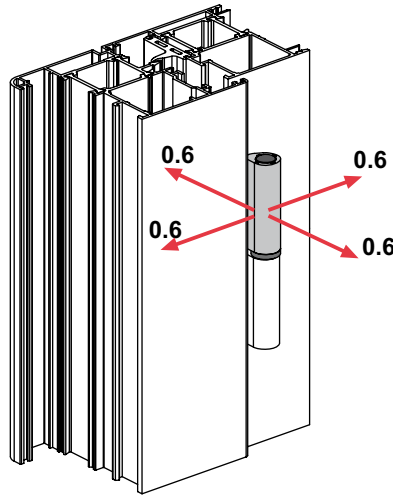
9811A



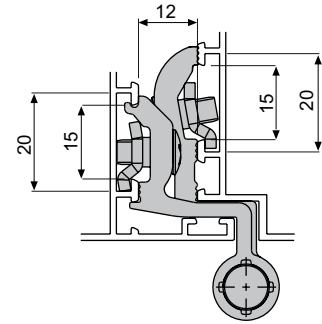
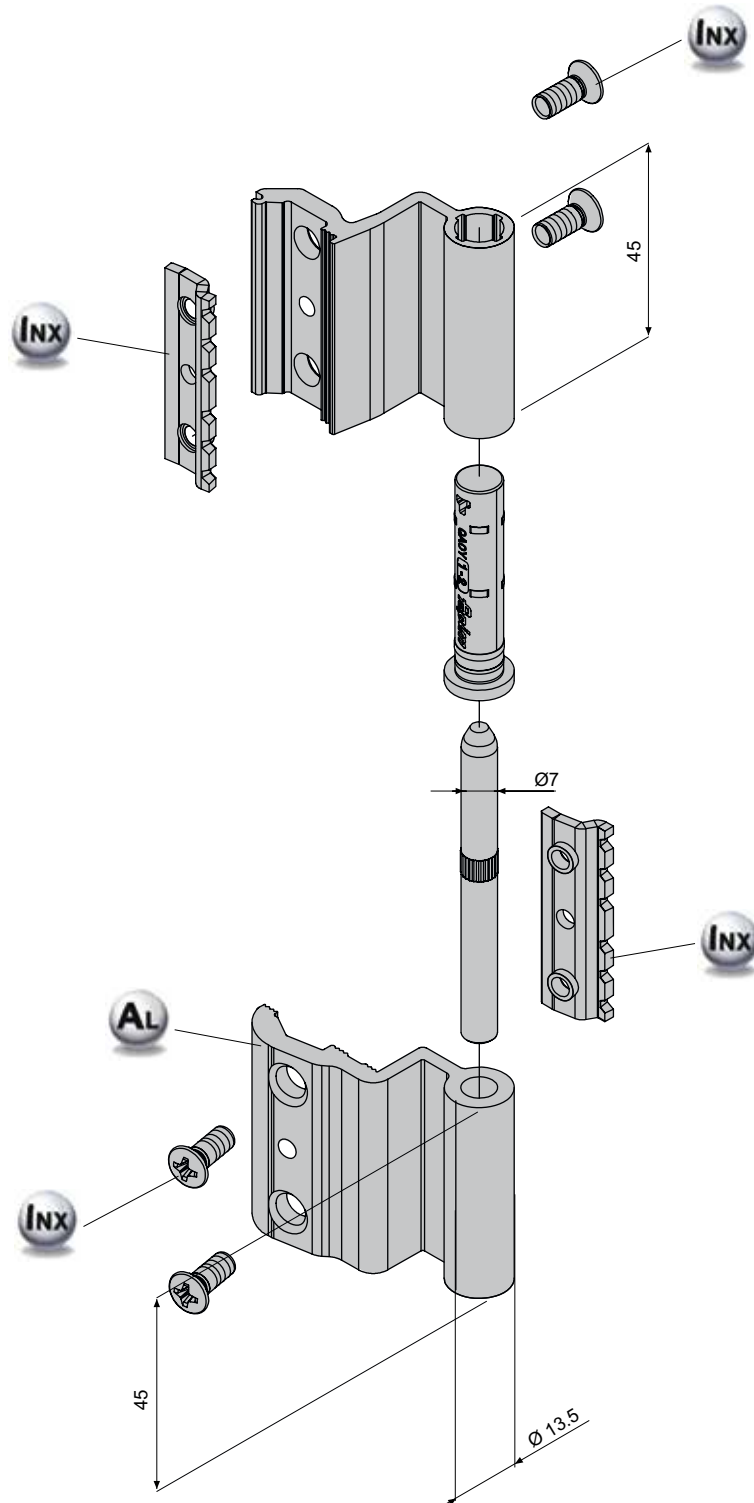
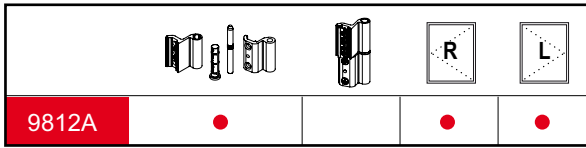
9812A



Art. 9828Z



9812A



NNC 40S

9812A

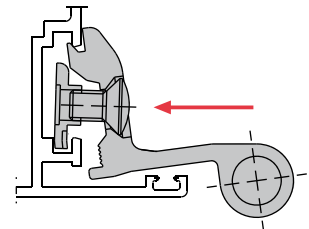
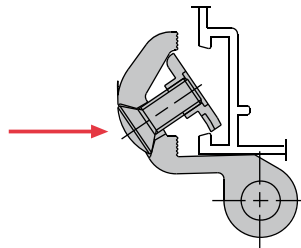
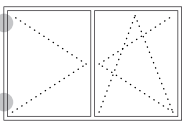
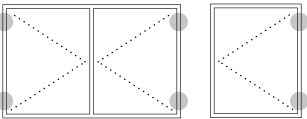
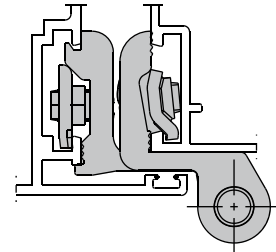
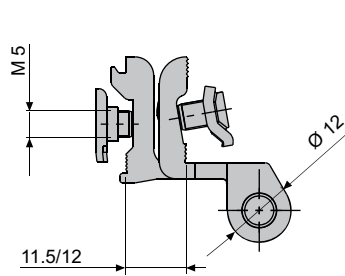
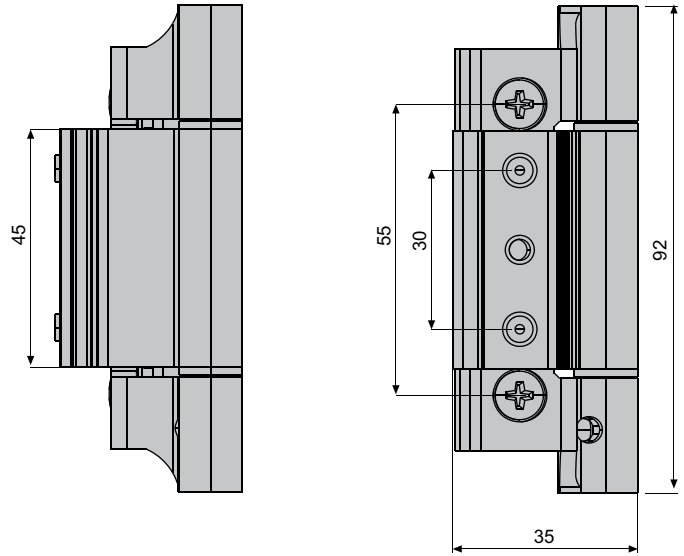
9826
9826D



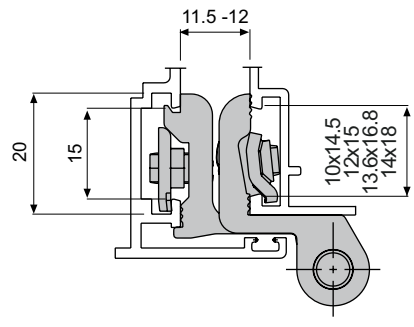
9826	50
9826D	2x25

C.E.

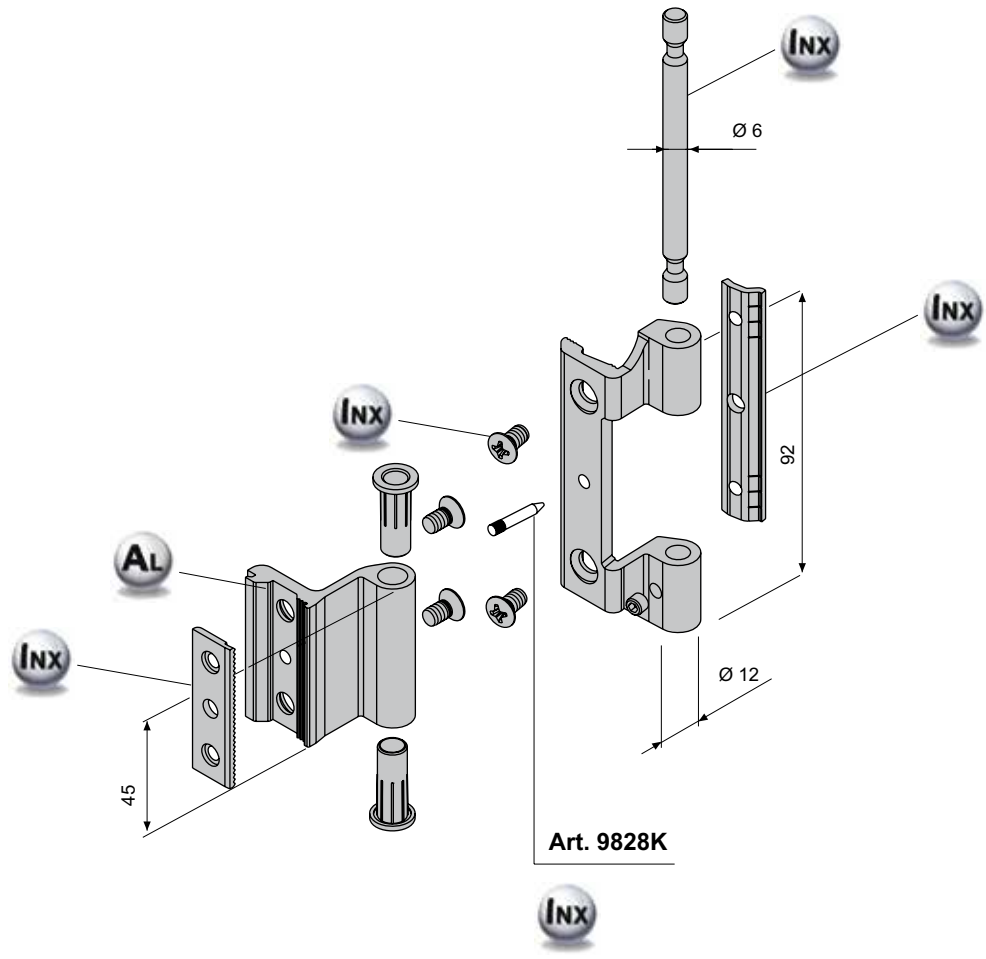
10x14.5
12x15
13.6x16.8
14x18



9826
9826D




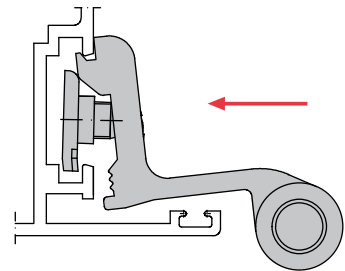
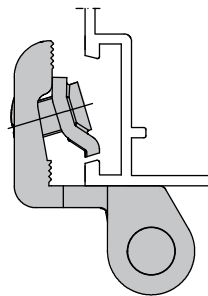
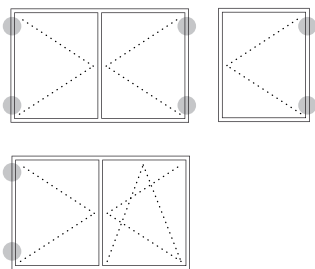
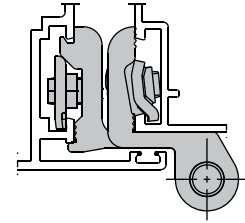
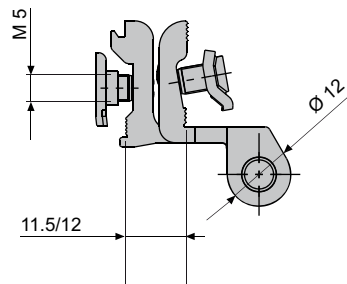
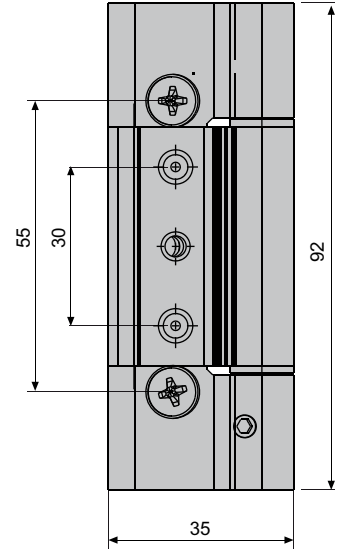
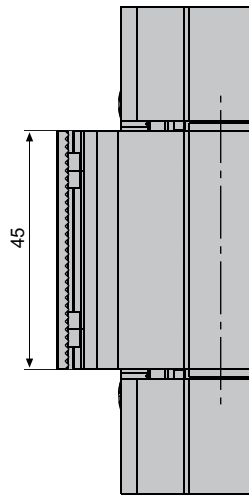
C.E. **9826 / 9826D**



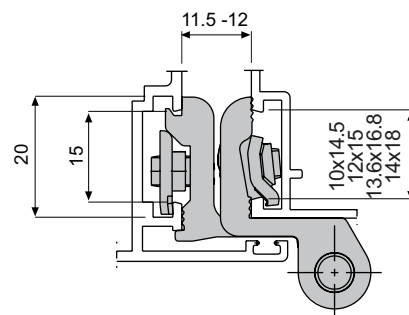
9826B



9826B	 C.E.	10x14.5 12x15 13.6x16.8 14x18	50
-------	--	--	----

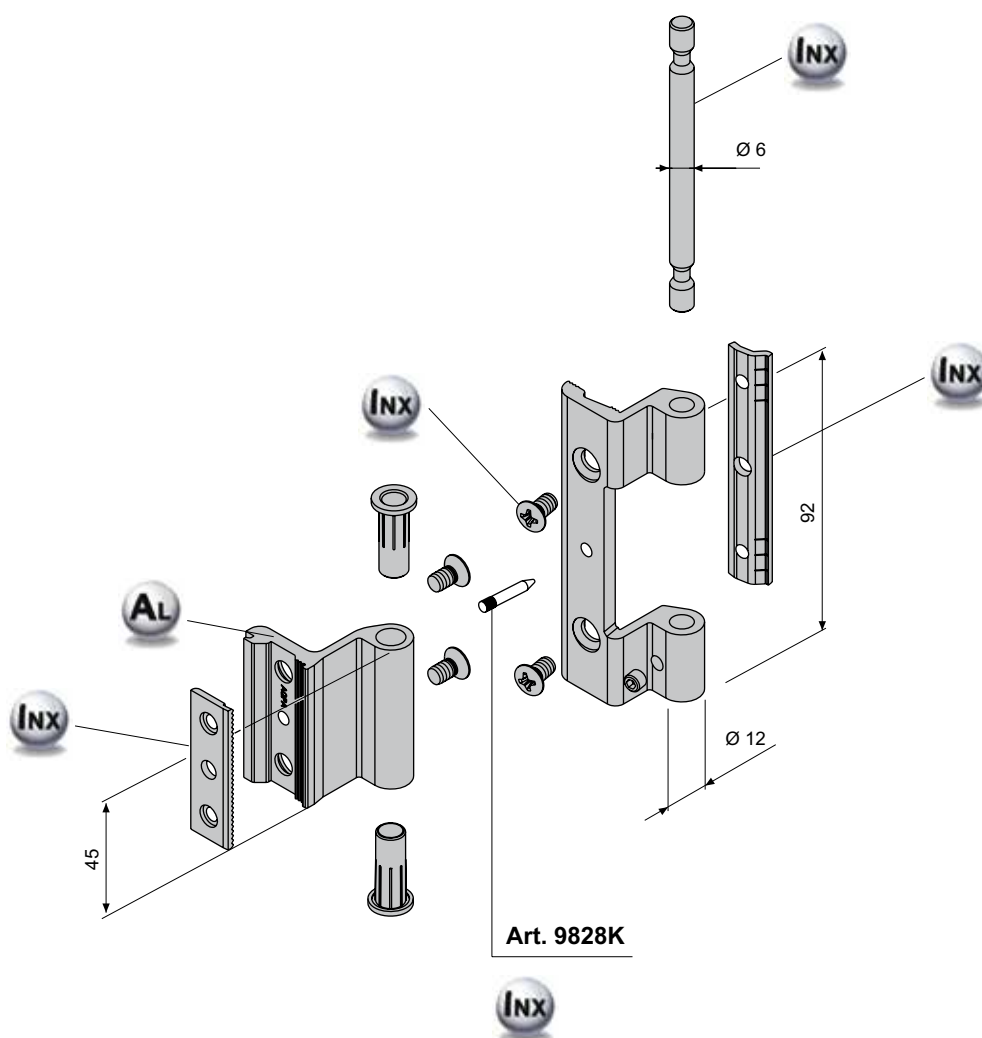


9826B

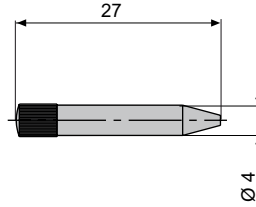


C.E.

9826B



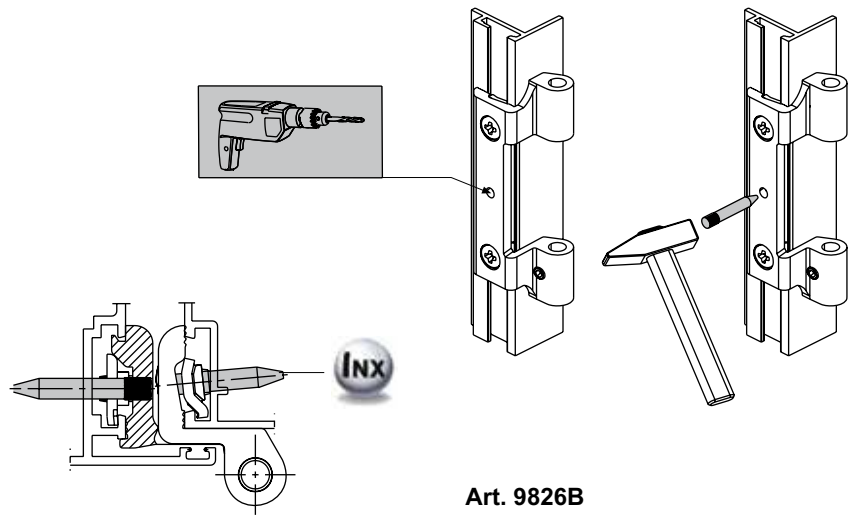
9828K



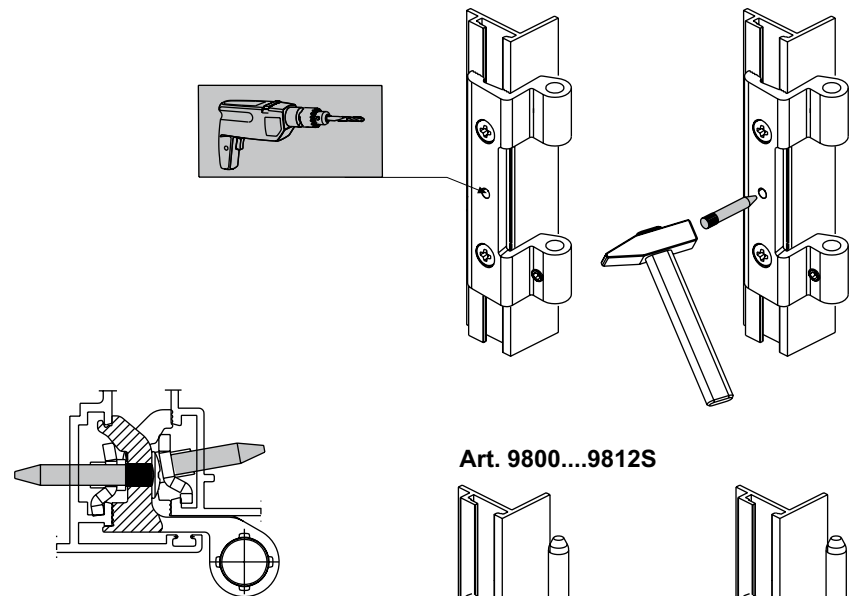
9828K	GRIP+ GRIP	400



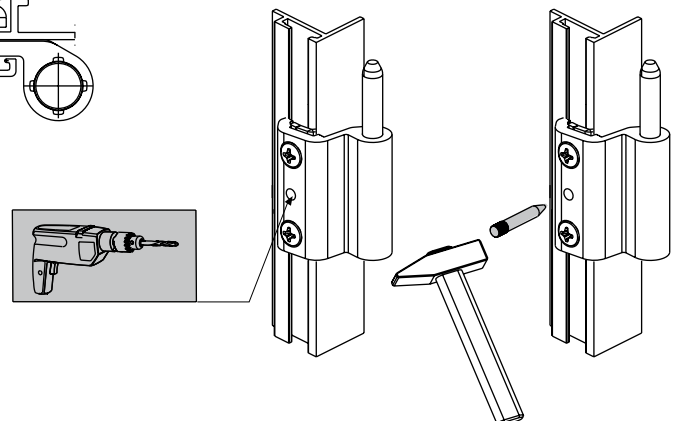
Art. 9826/9826D

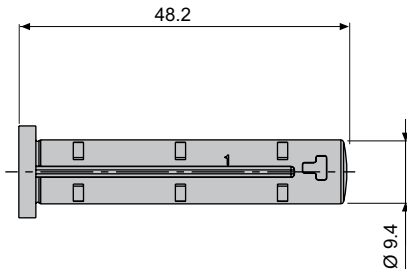


Art. 9826B

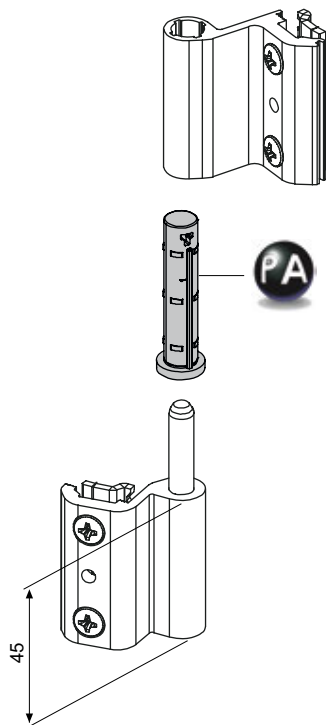



Art. 9800....9812S

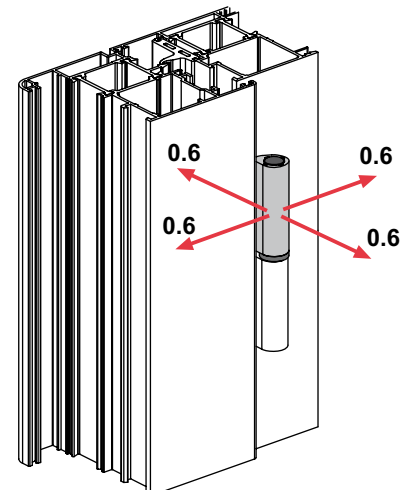
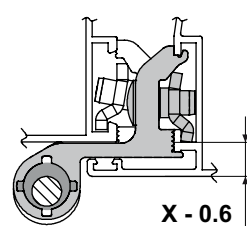
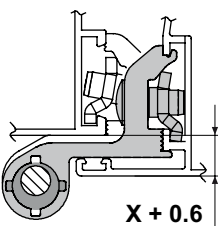
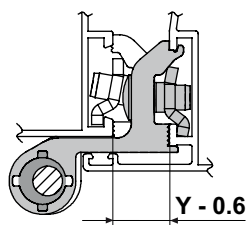
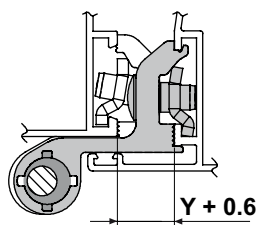




9828Z





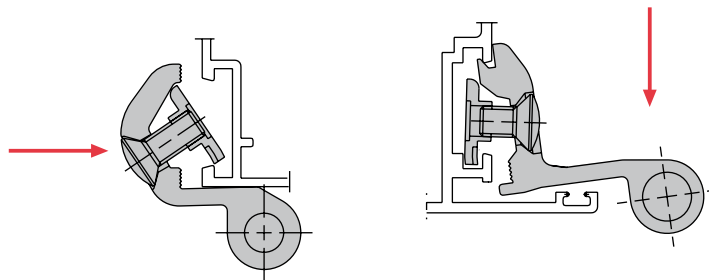
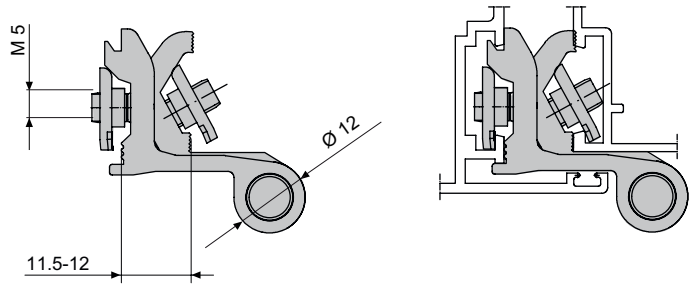
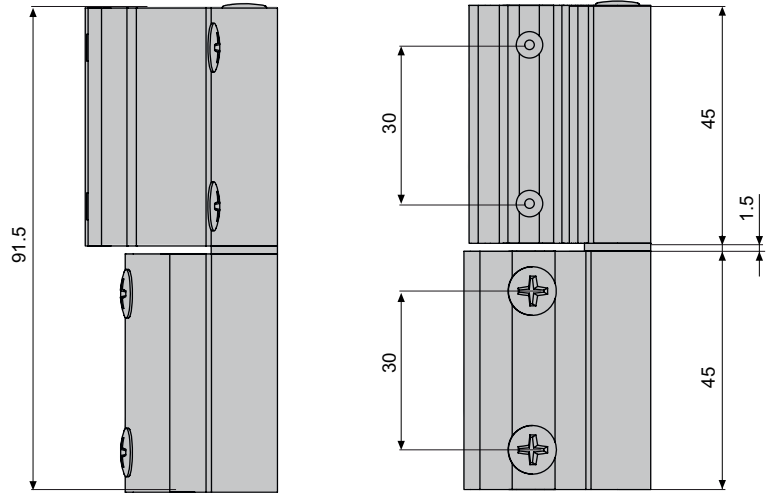
		
9828Z	GRIP+	100



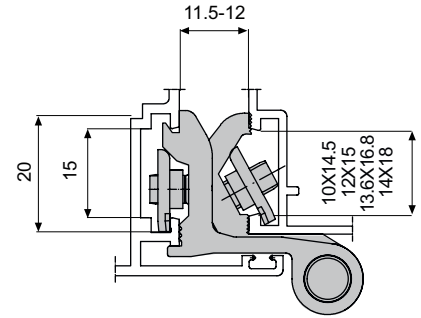
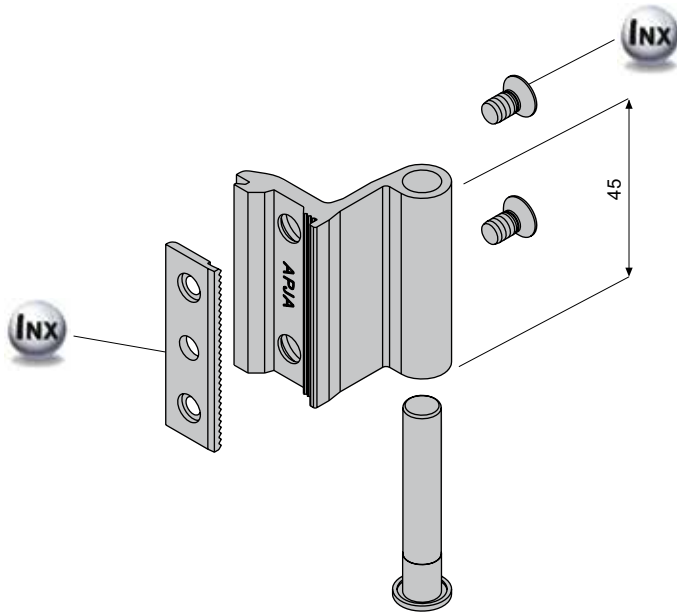
9830



9830	 C.E.	10x14.5 12x15 13.6x16.8 14x18	50
			

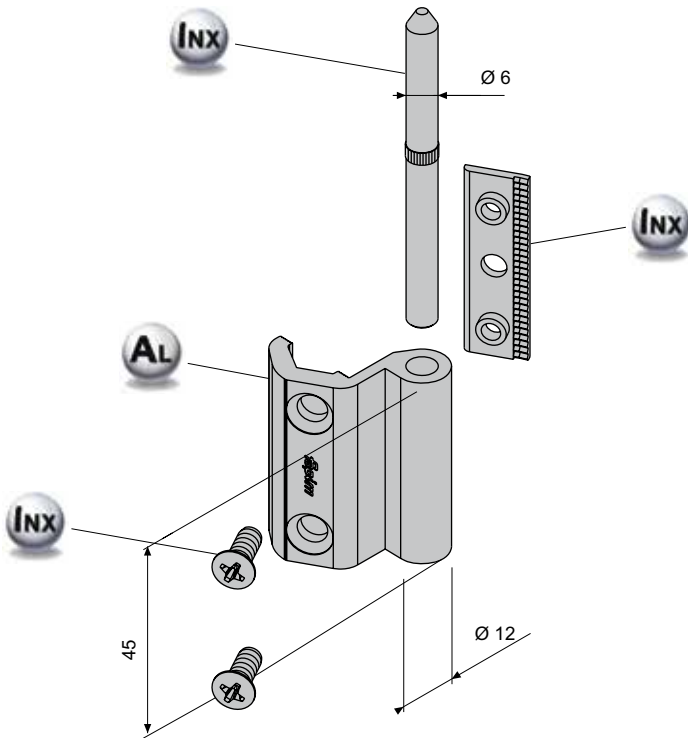


9830



C.E.

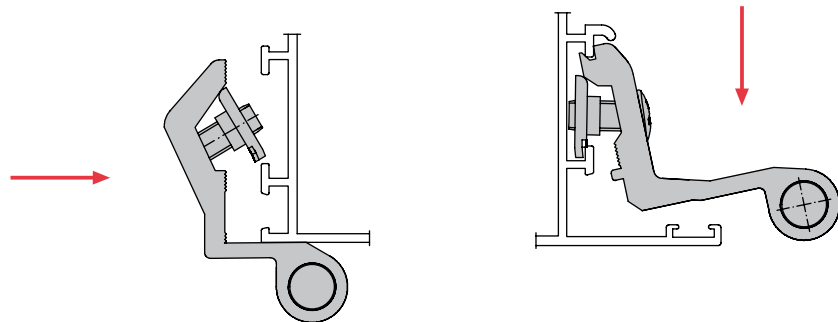
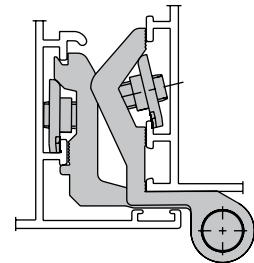
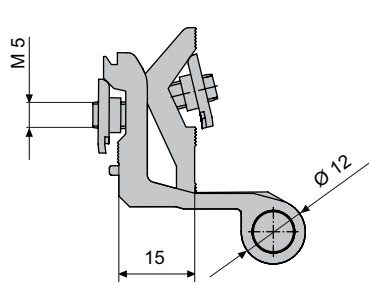
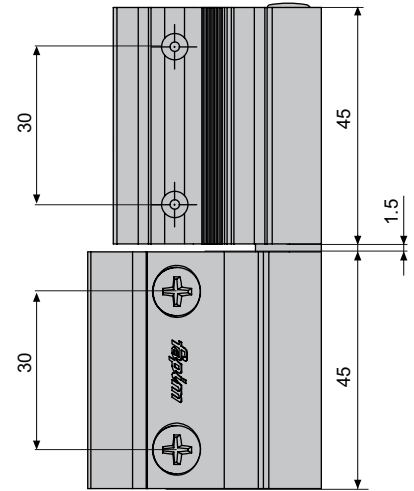
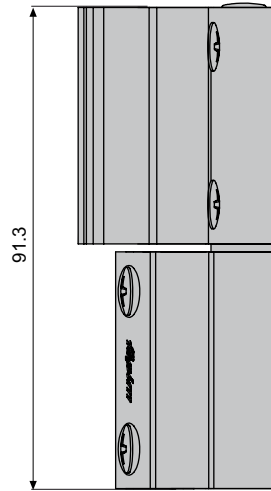
9830



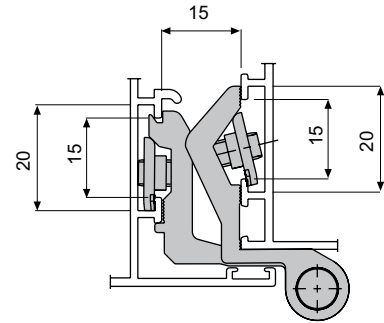
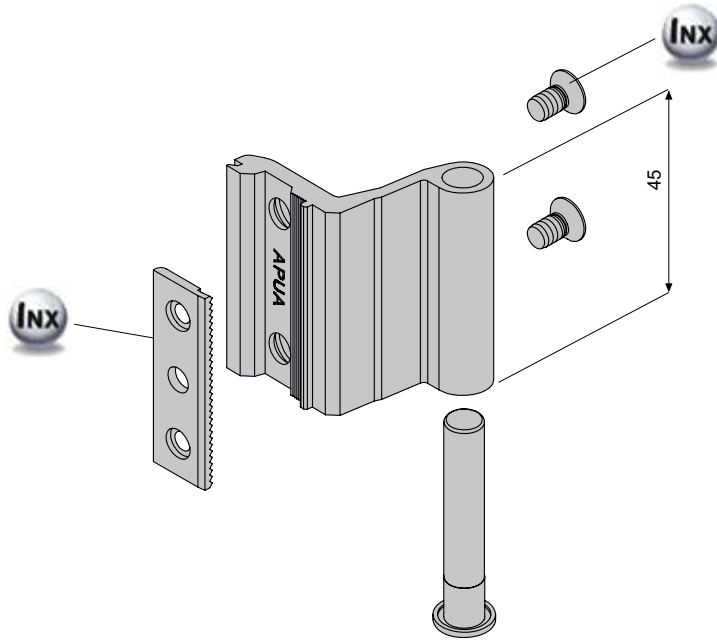
9835



9835	 All.co 5S	50
------	----------------------	----

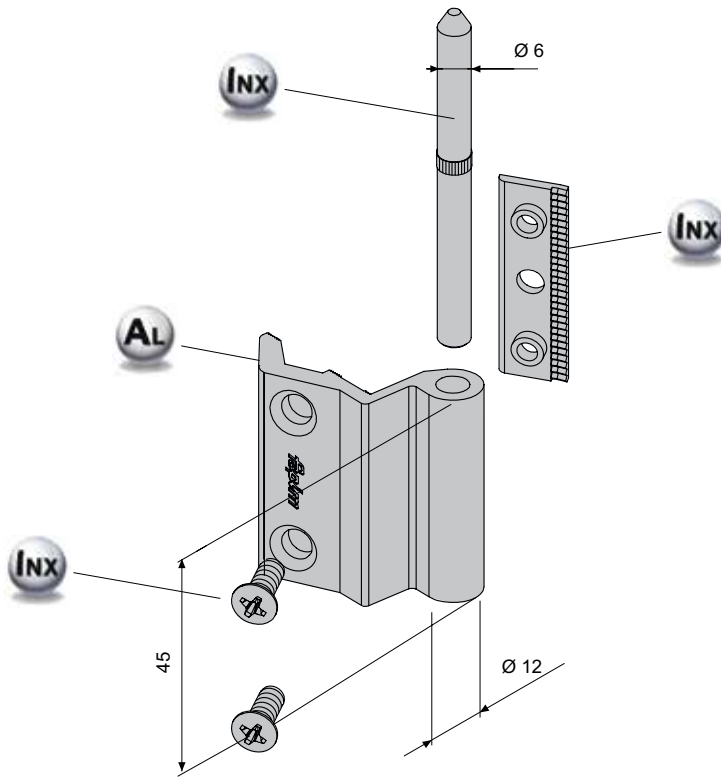


9835

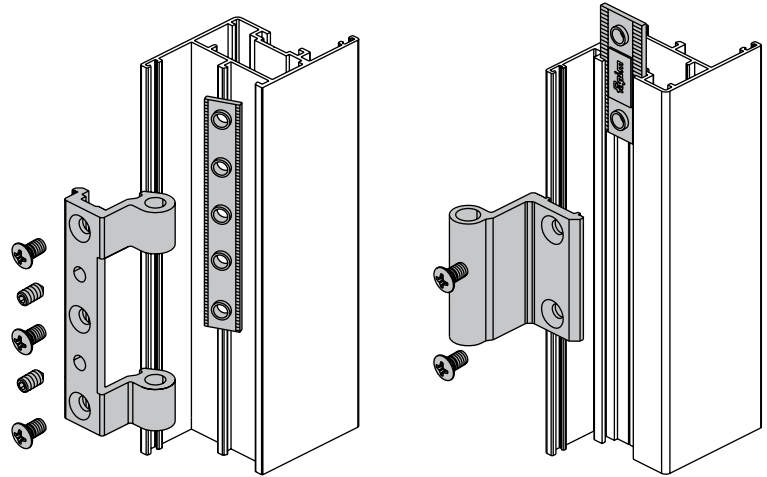
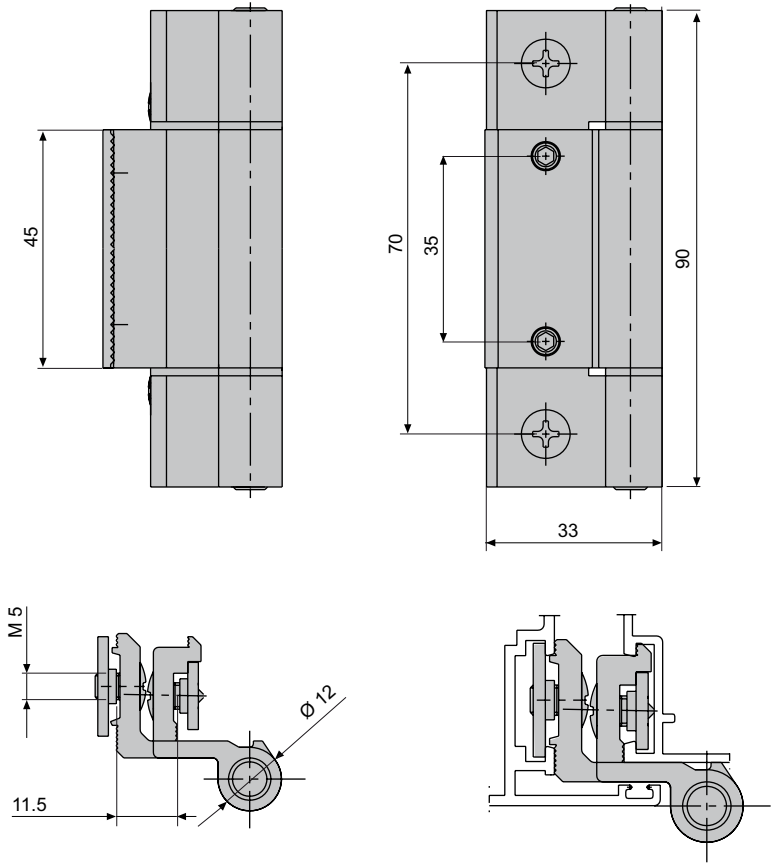
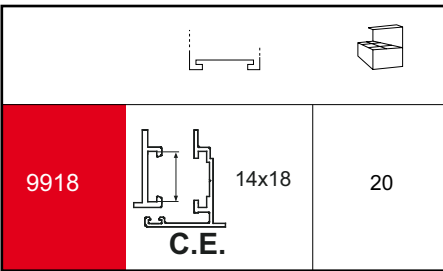


ALL.CO 5 S

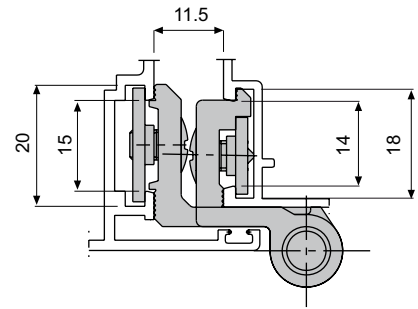
9835



9918

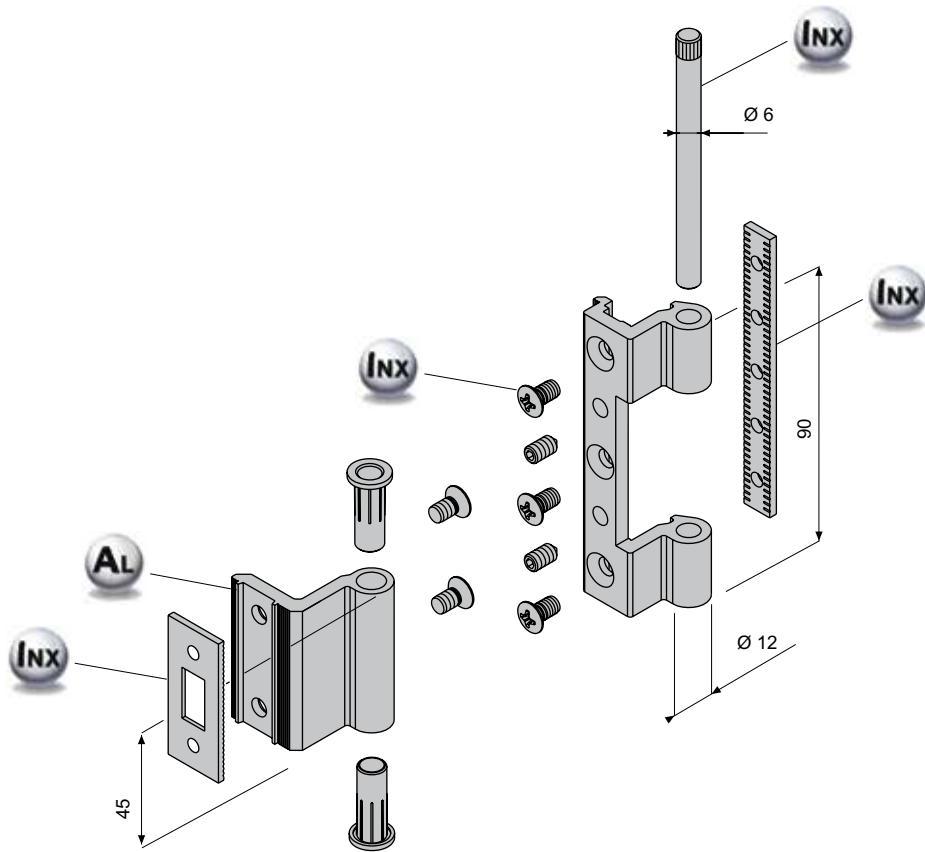


9918

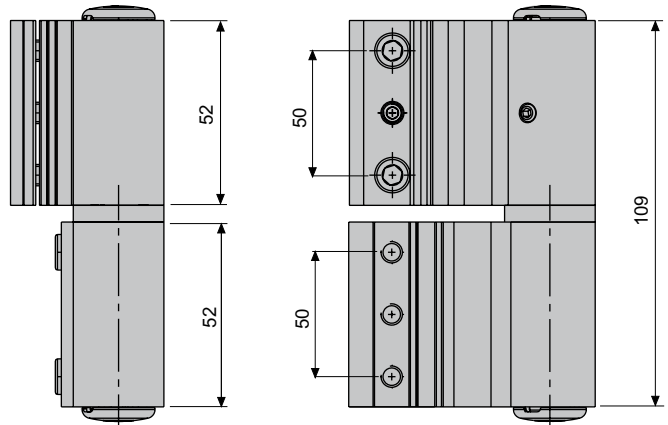




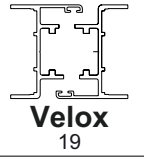
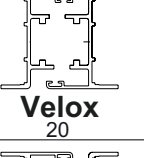
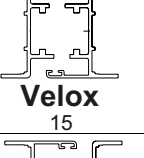
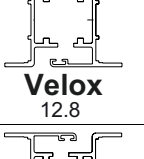

C.E.

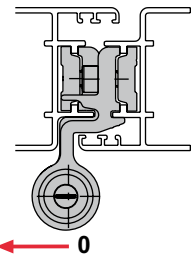
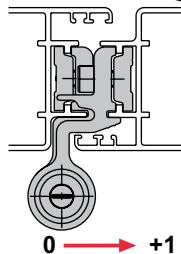
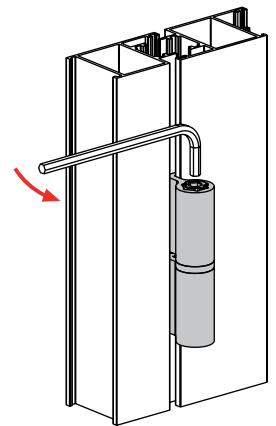
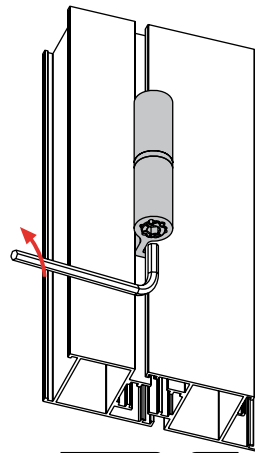
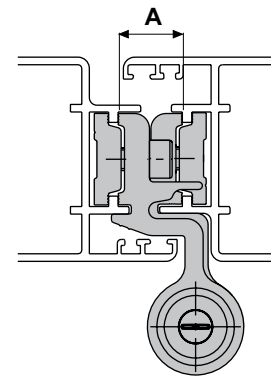
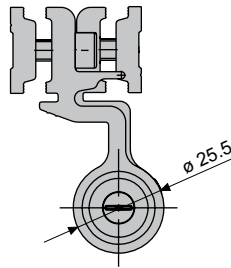
9918



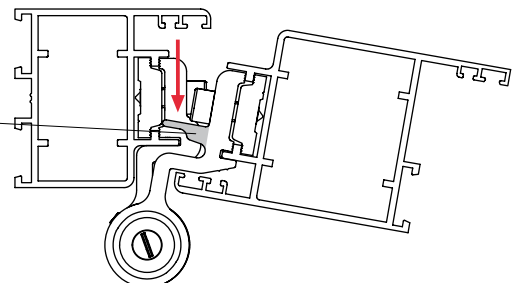
- 5500I
- 5500AI
- 5500BI
- 5504AI
- 5506I
- 5511I

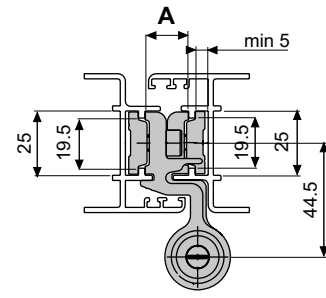
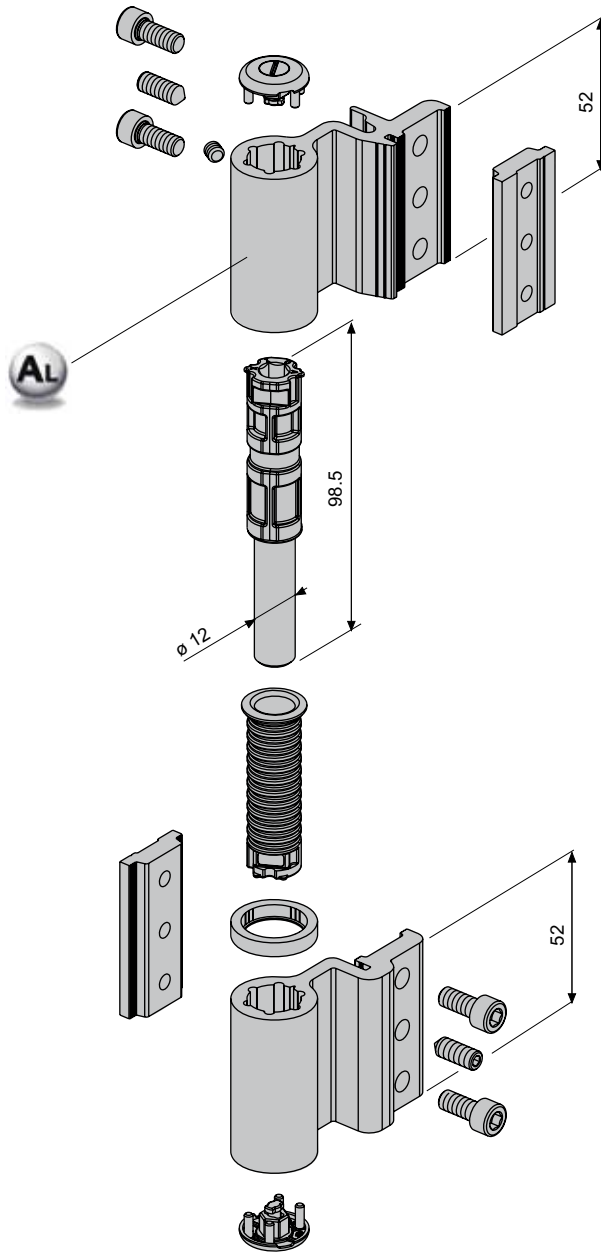


	A	
5500i	 Velox 17	25
5500Ai	 Velox 19	25
5500Bi	 Velox 20	25
5504Ai	 Velox 15	25
5506i	 Velox 12.8	25
5511i	 Velox 17	25

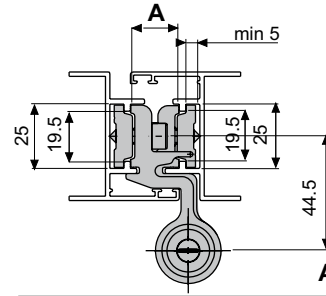


STOP

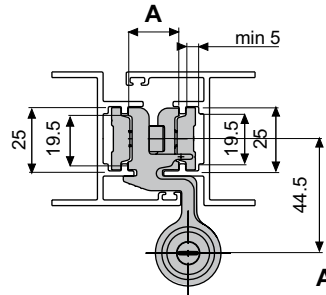




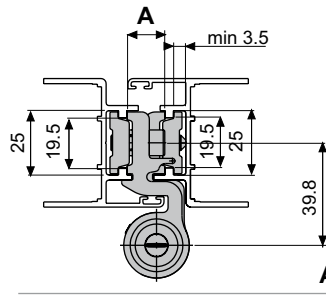
Art. 5500I



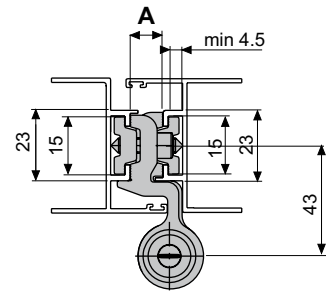
Art. 5500AI



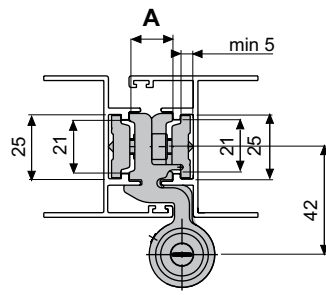
Art. 5500BI



Art. 5504AI



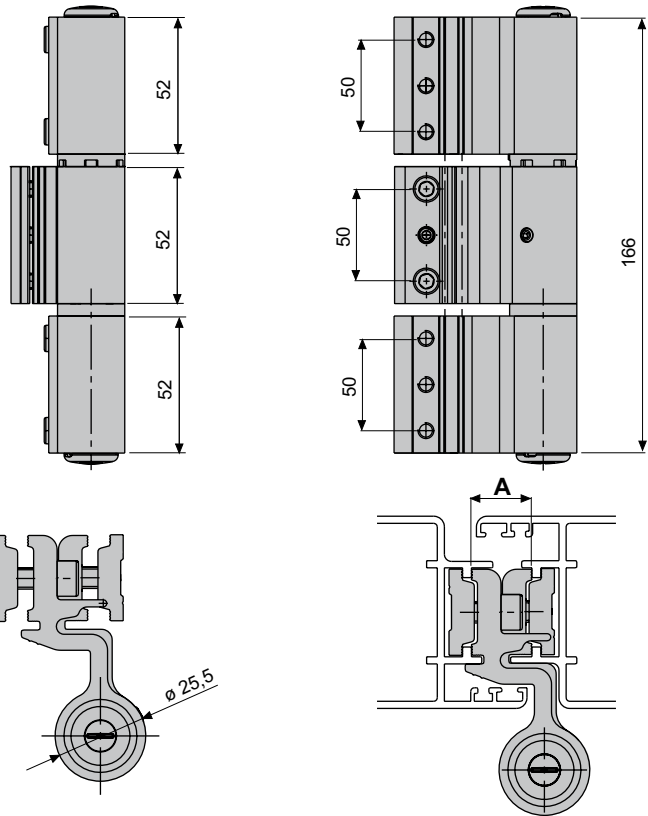
Art. 5506I



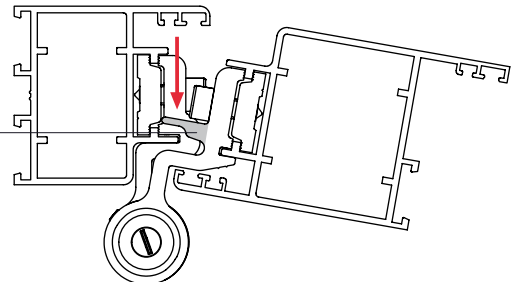
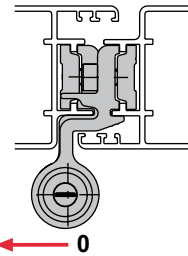
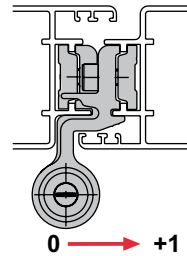
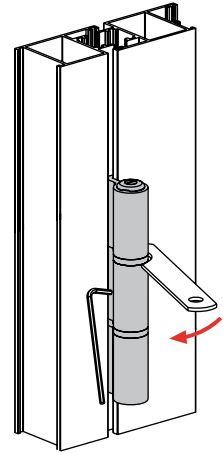
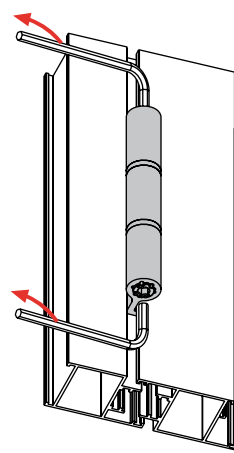
Art. 5511I

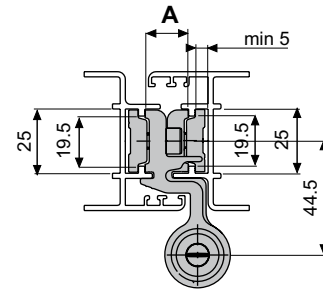
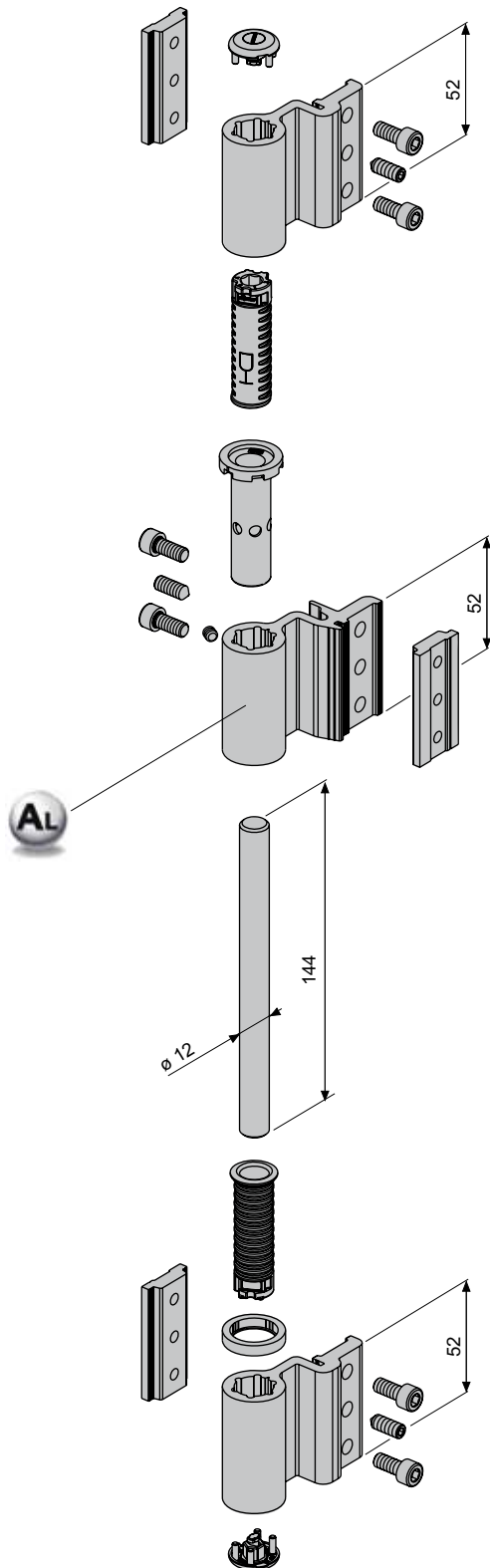
5500I
5500AI
5500BI
5504AI
5506I
5511I

5501I
 5501AI
 5501BI
 5505AI
 5507I
 5512I

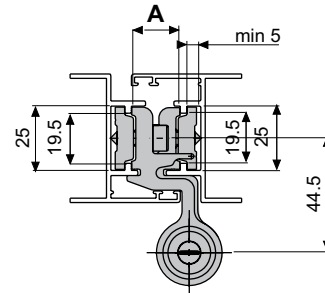


	A	
5501i		10
5501Ai		10
5501Bi		10
5505Ai		10
5507i		10
5512i		10

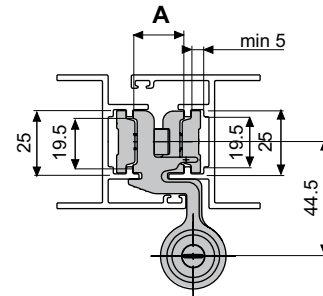




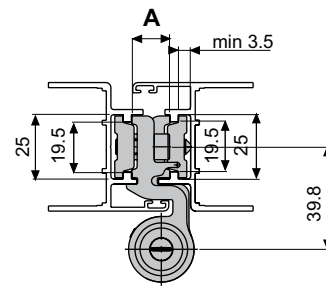
Art. 5501



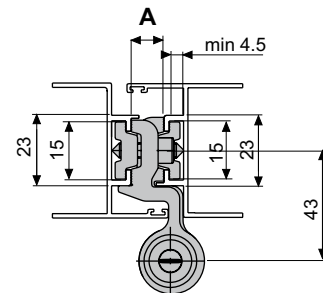
Art. 5501A



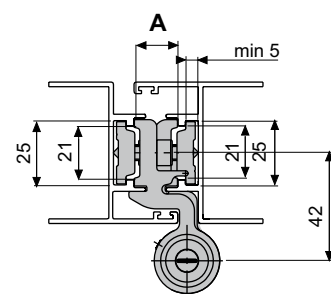
Art. 5501B



Art. 5505A



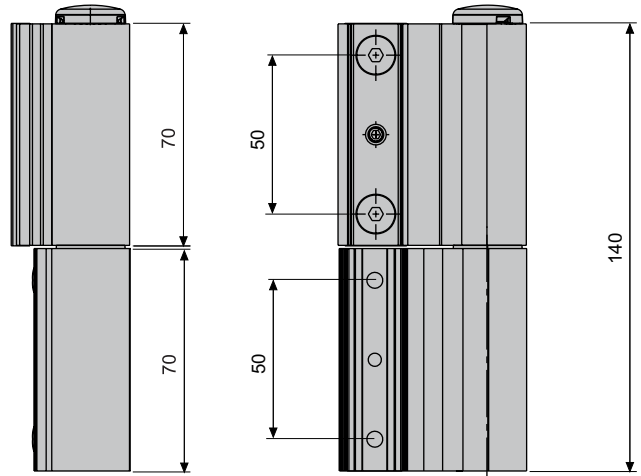
Art. 5507




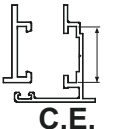
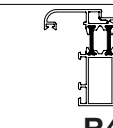
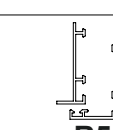


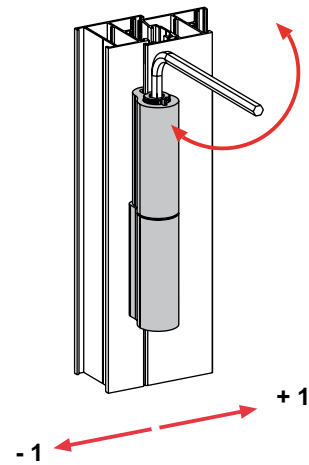
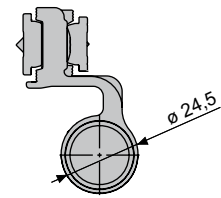
Art. 5512

5501I
 5501AI
 5501BI
 5505AI
 5507I
 5512I

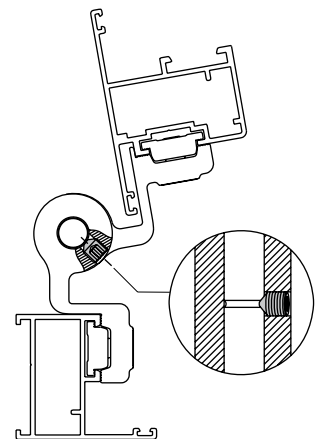
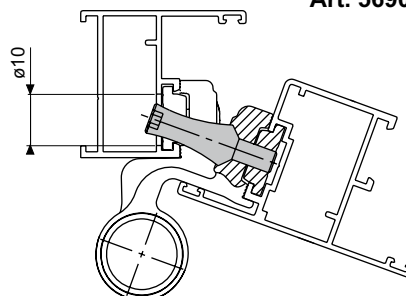
- 5601
- 5601i
- 5601A
- 5601Ai
- 5601AT
- 5601B
- 5601C
- 5601T
- 5611
- 5621

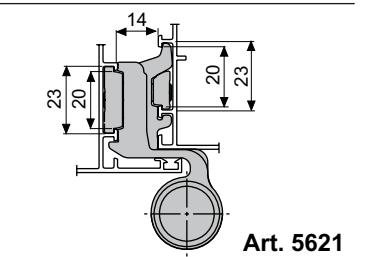
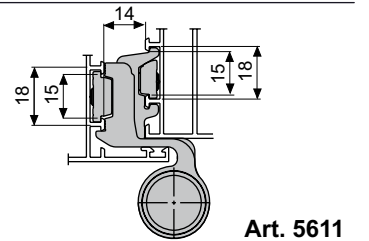
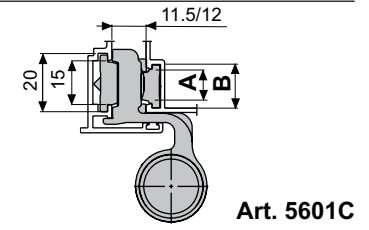
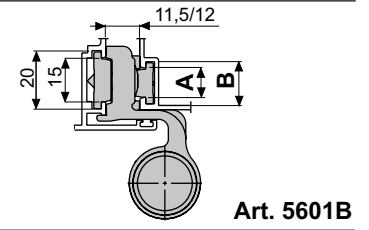
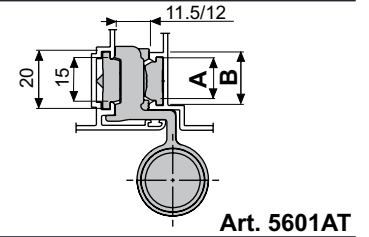
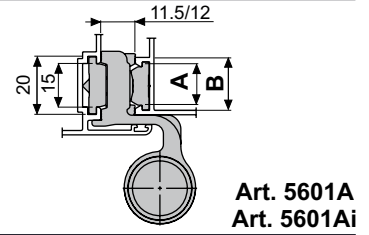
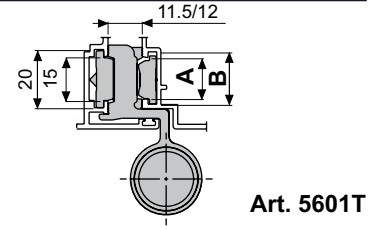
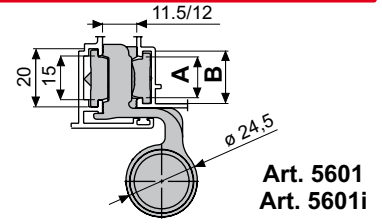
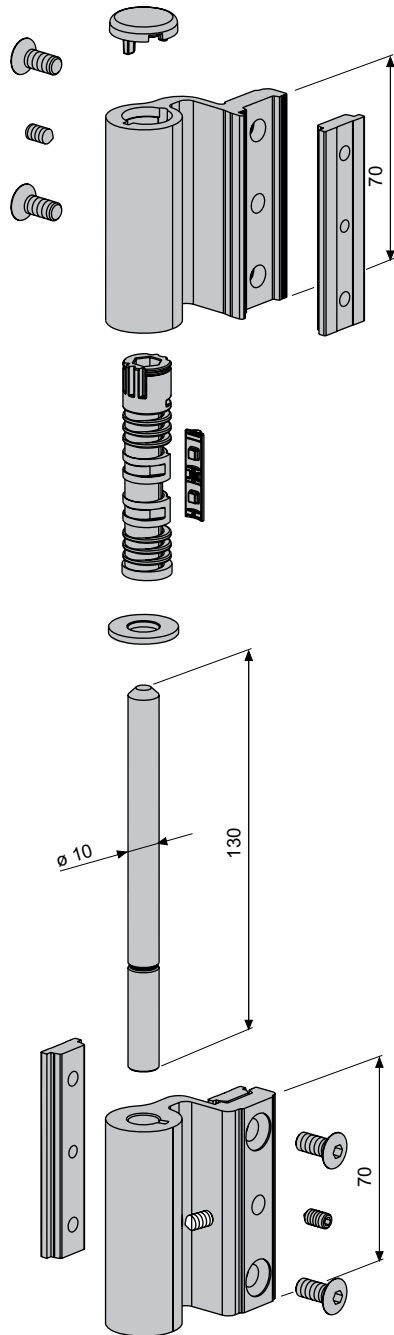


	AxB	
5601	 14x18 C.E.	12
5601i		50
5601T		12
5601A	 14x18 13.6x16.8 C.E.	12
5601Ai		50
5601AT		12
5601B	 10x14.5 C.E.	12
5601C	 12x15 C.E.	
5611	 R40	
5621	 R50	



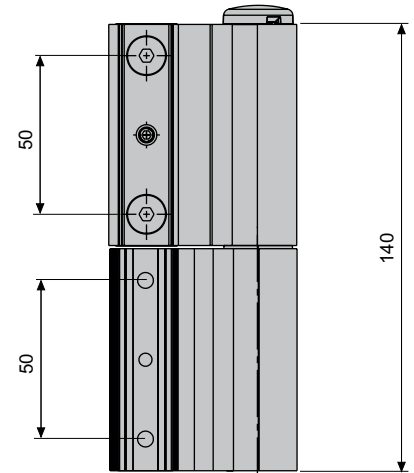
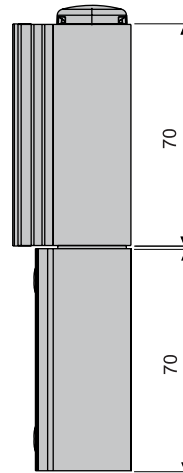
Art. 5690



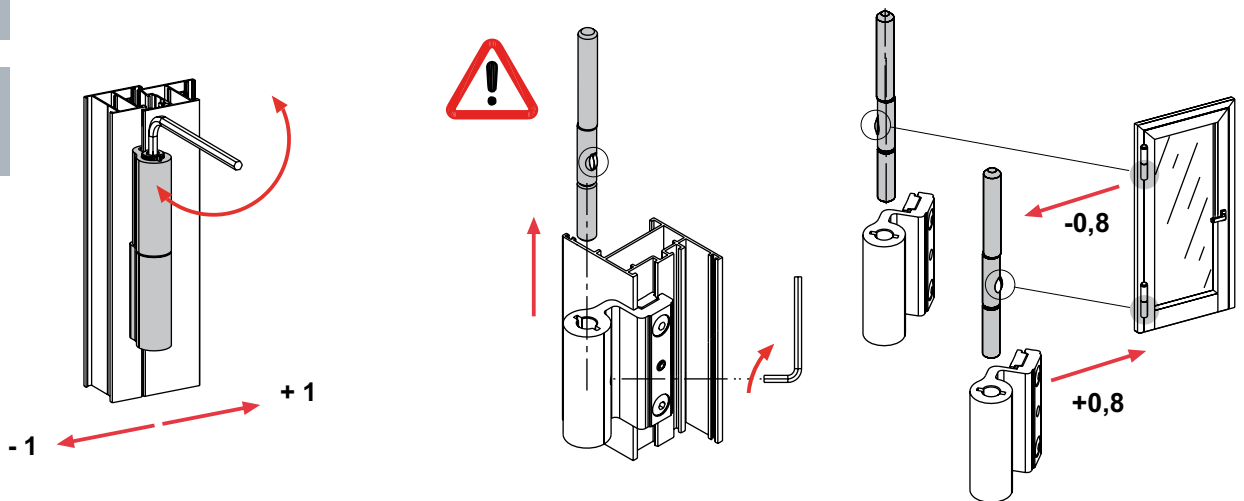
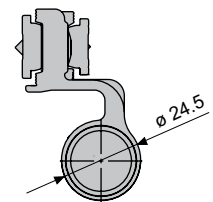


5601
5601i
5601A
5601Ai
5601AT
5601B
5601C
5601T
5611
5621

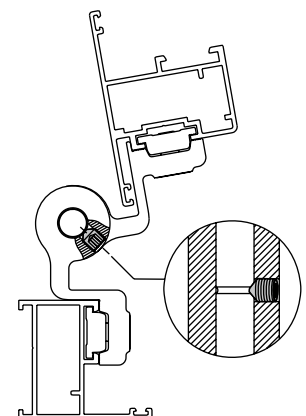
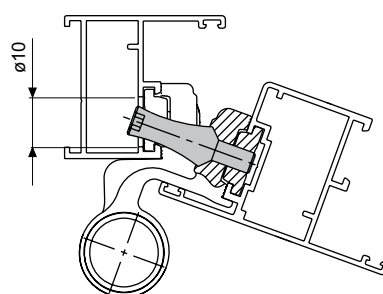
5601P

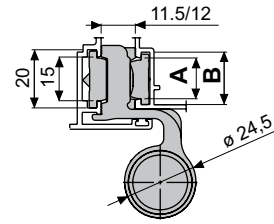
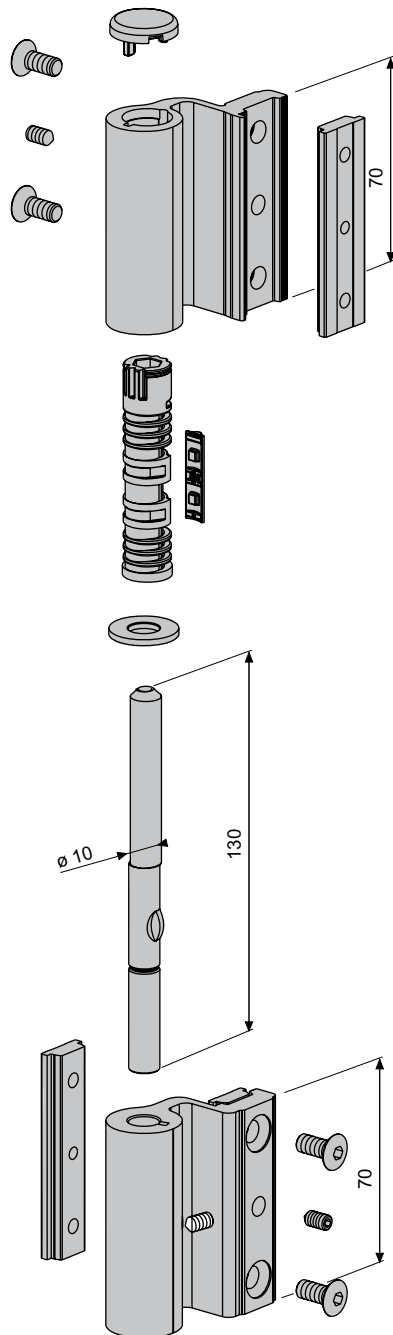


AxB		
5601P	14x18	12
C.E.		



Art. 5690





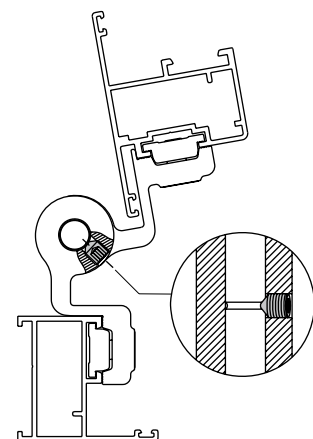
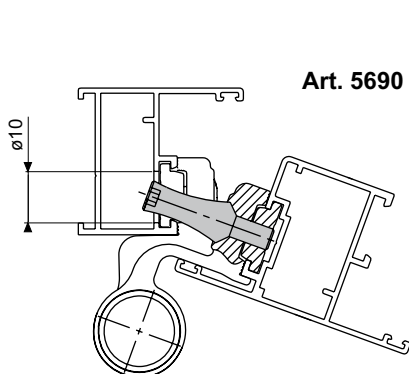
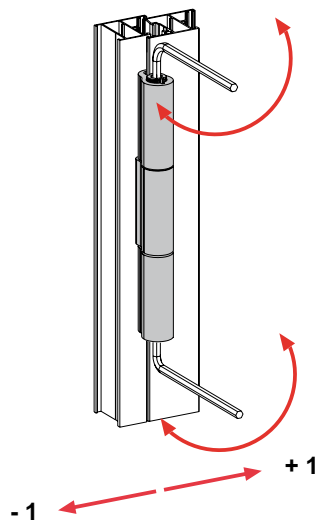
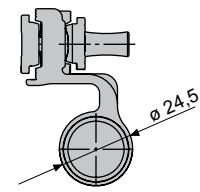
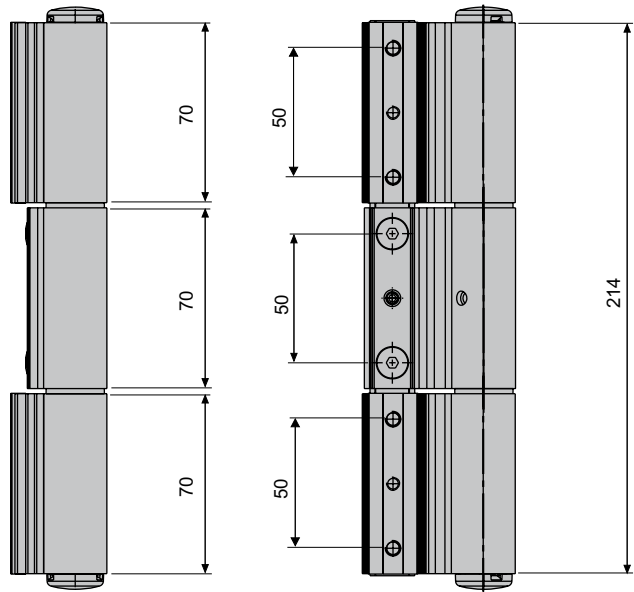
C.E.

Art. 5601P

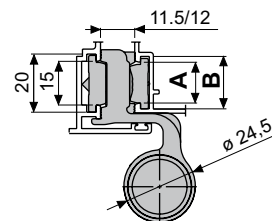
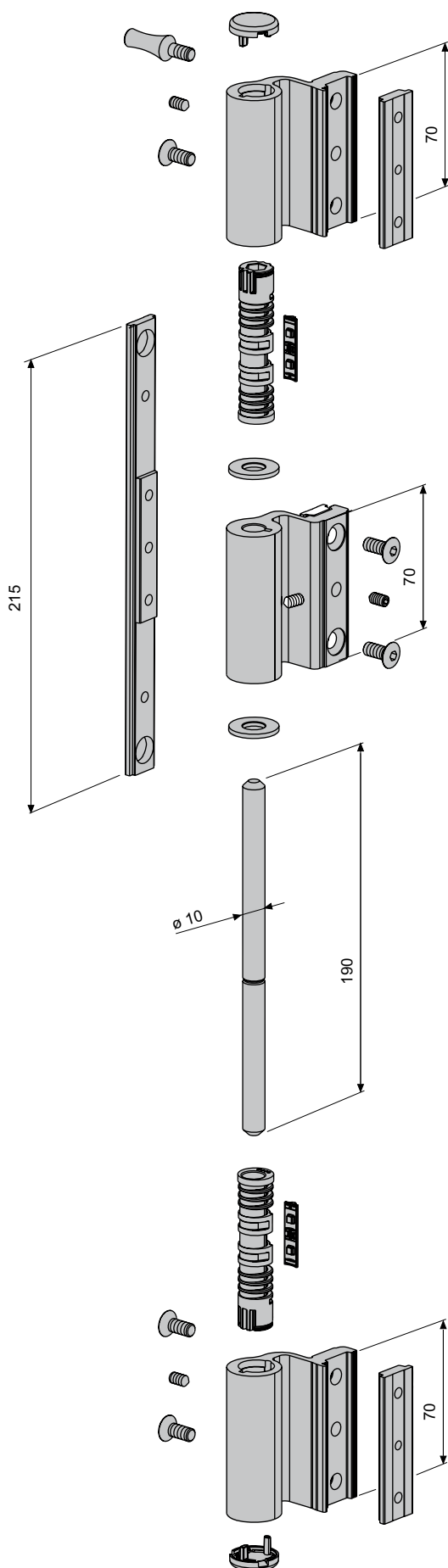
5602
5602A



		AxB	
5602		14x18	12
	C.E.		
5602A		14x18 13.6x16.8	
	C.E.		

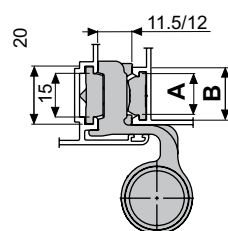


5602
5602A



C.E.

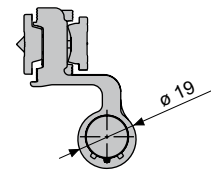
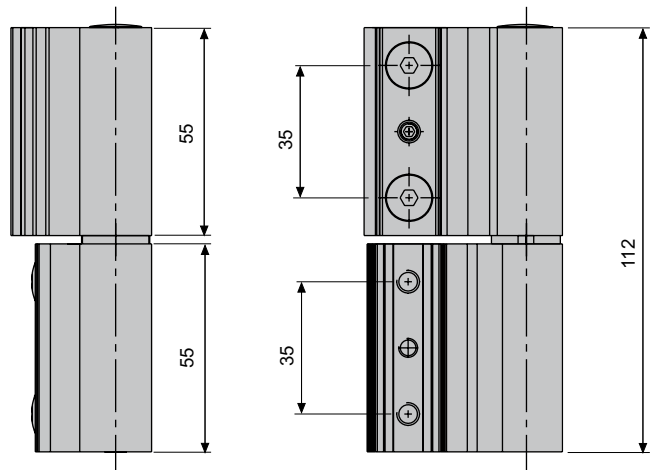
Art. 5602




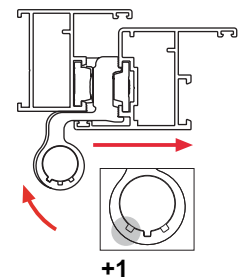
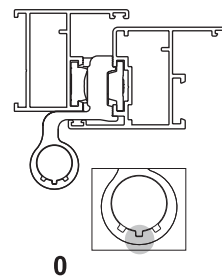
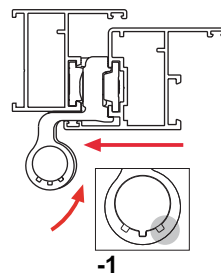
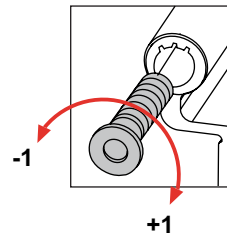
C.E.

Art. 5602A

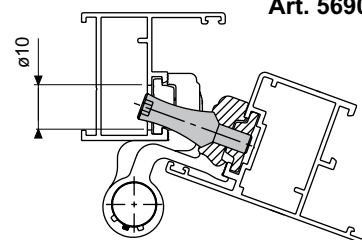
- 5603
- 5603A
- 603B
- 5603C
- 5603T
- 5603AT
- 5613
- 5613T
- 5633
- 5643

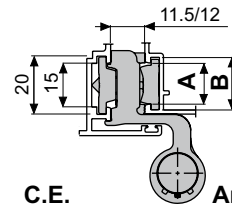
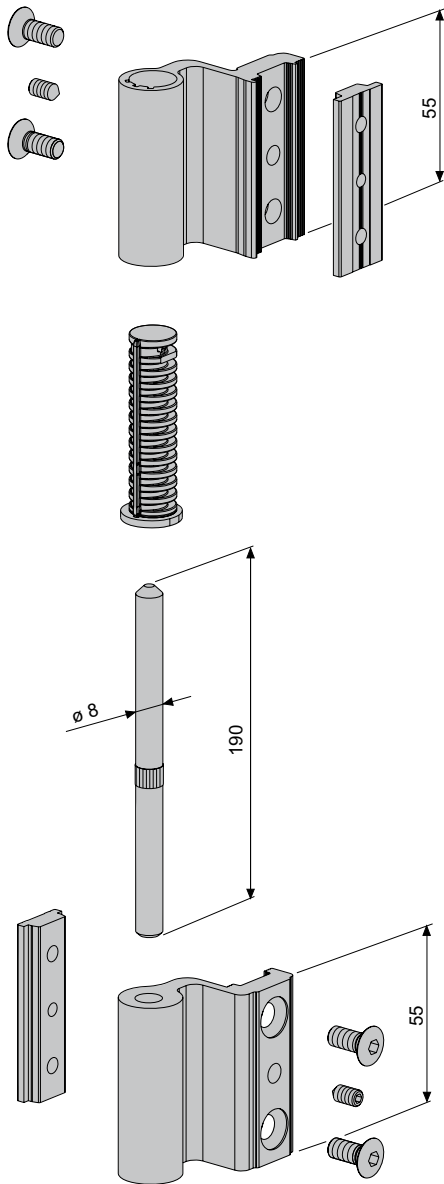


		AxB	
5603	C.E.	14x18	20
5603T			
5603A	C.E.	14x18 13.6x16.8	20
5603AT			
5603B	C.E.	10x14.5	20
5603C	C.E.	12x15	20
5613	R40	15x18	20
5613T			
5633	All.co 5S	15x20	20
5643	Nc 40S	15x20	20

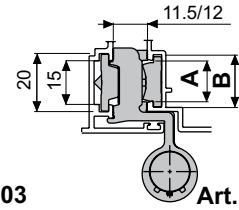


Art. 5690

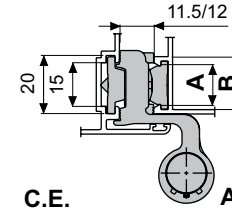




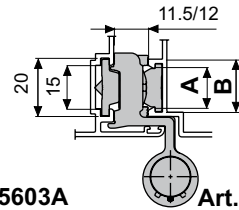
C.E. Art. 5603



Art. 5603T



C.E. Art. 5603A

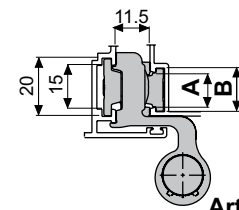


Art. 5603AT



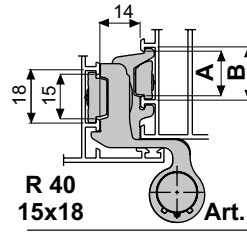
C.E.

Art. 5603B

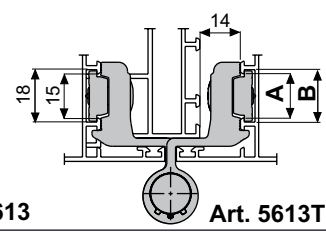


C.E.

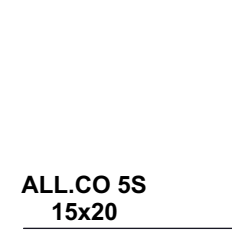
Art. 5603C



R 40
15x18 Art. 5613

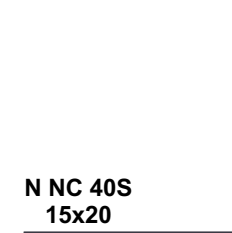


Art. 5613T



ALL.CO 5S
15x20

Art. 5633



N NC 40S
15x20

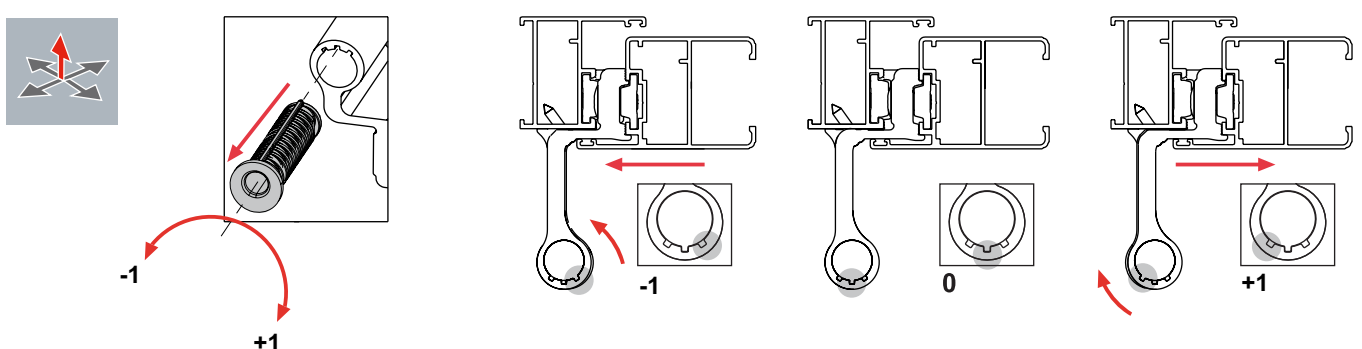
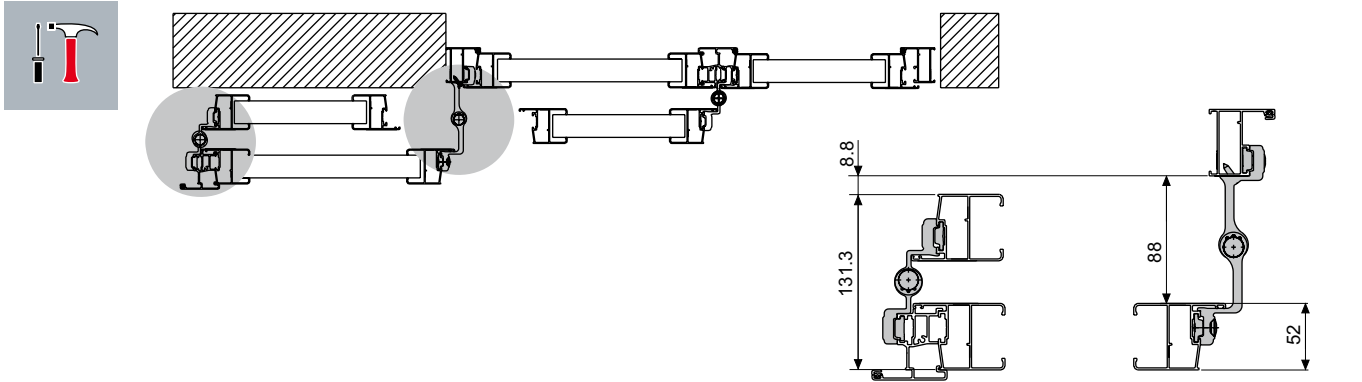
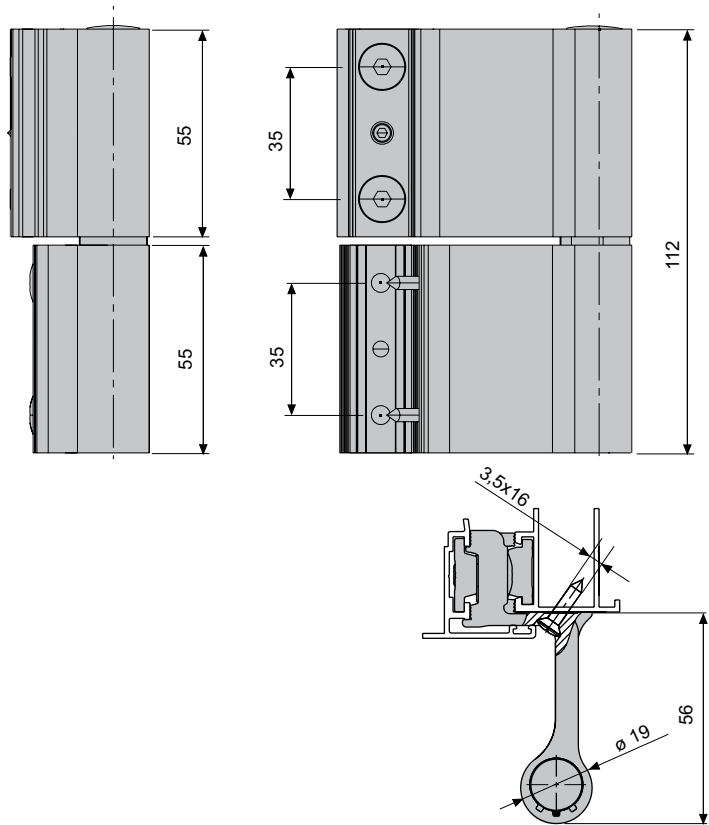
Art. 5643

5603
5603A
5603B
5603C
5603T
5603AT
5613
5613T
5633
5643

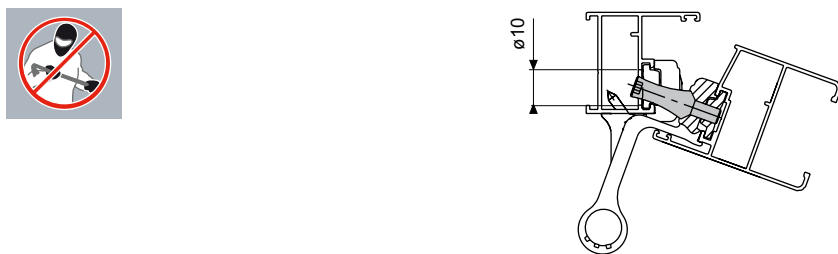
5603Q



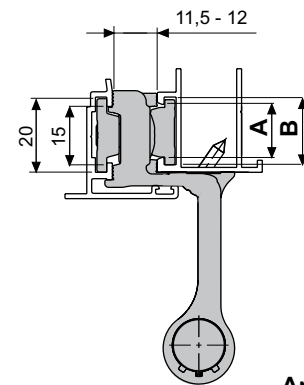
		AxB	
5603Q		14x18	20



Art. 5690

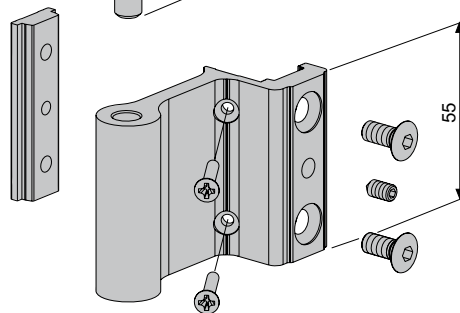
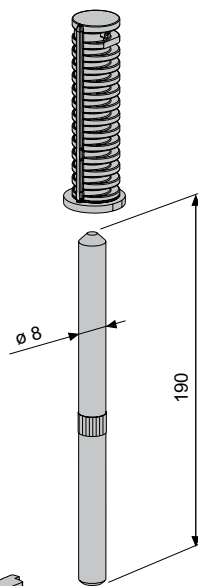
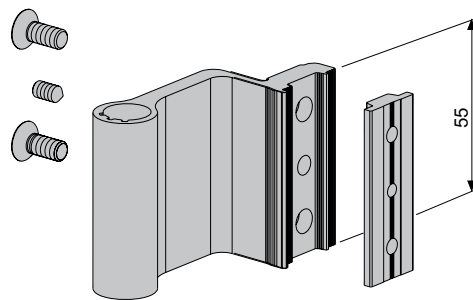


5603Q

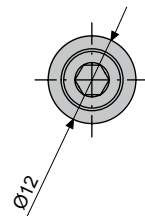
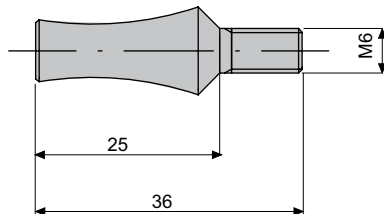


C.E.

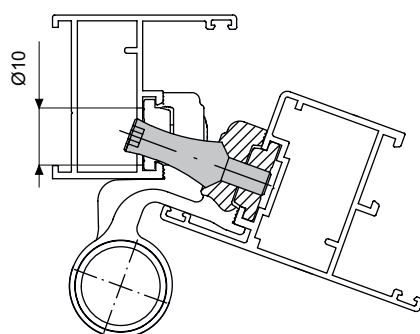
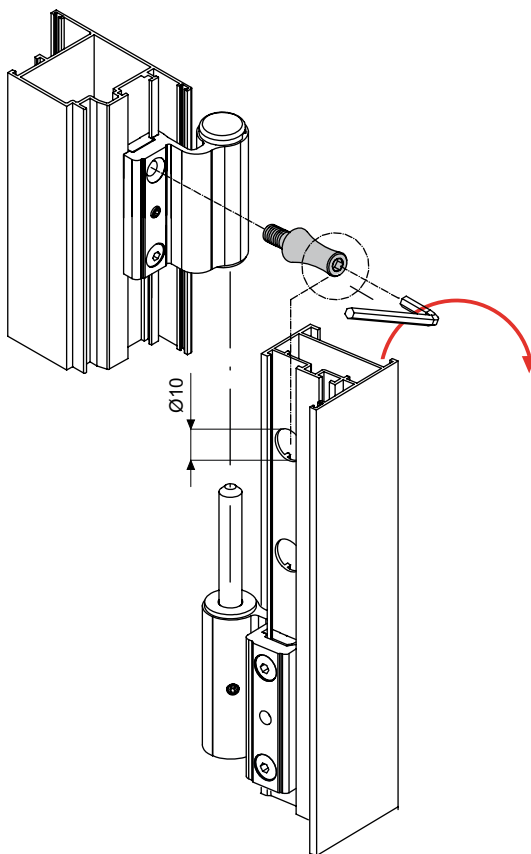
Art. 5603Q

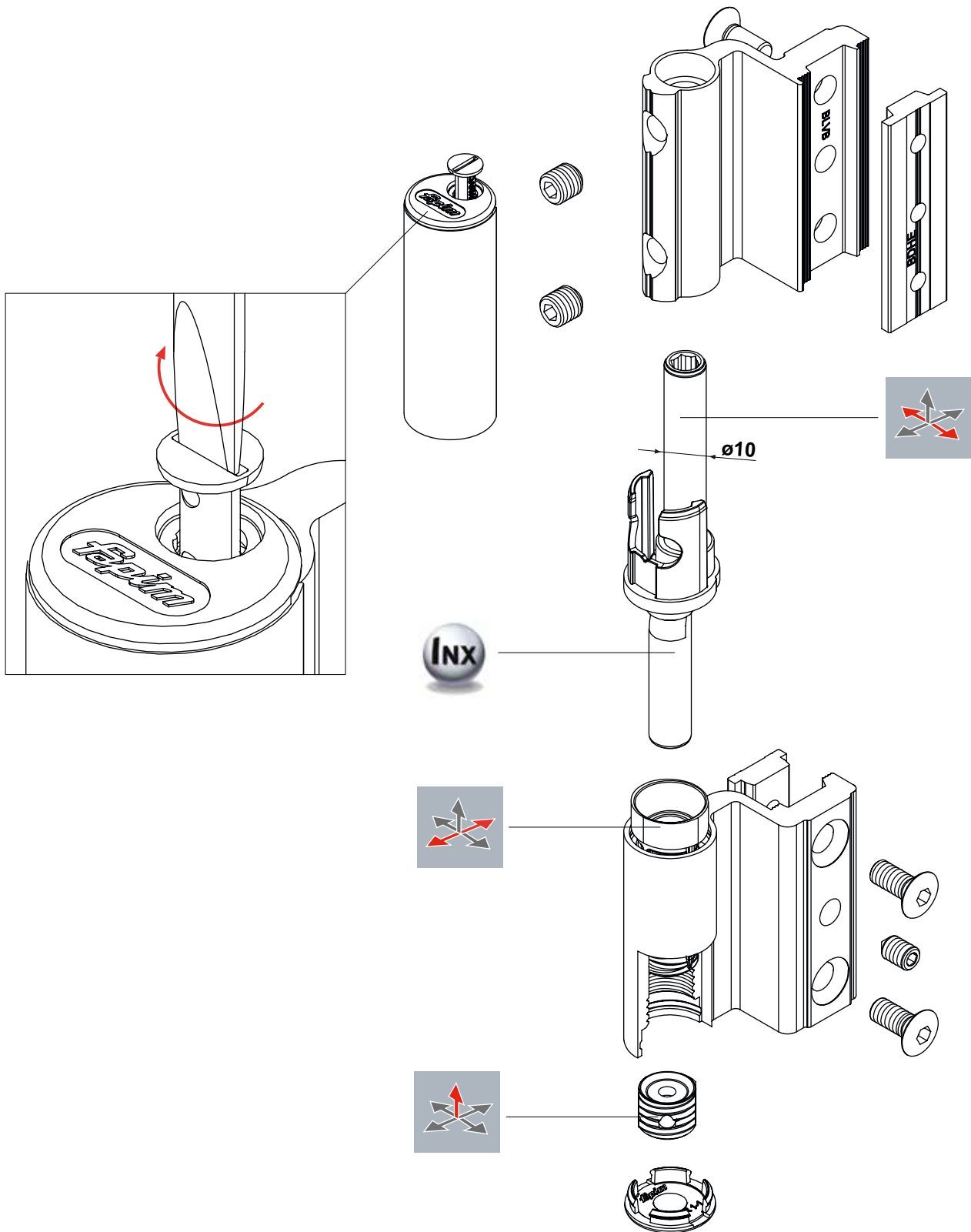


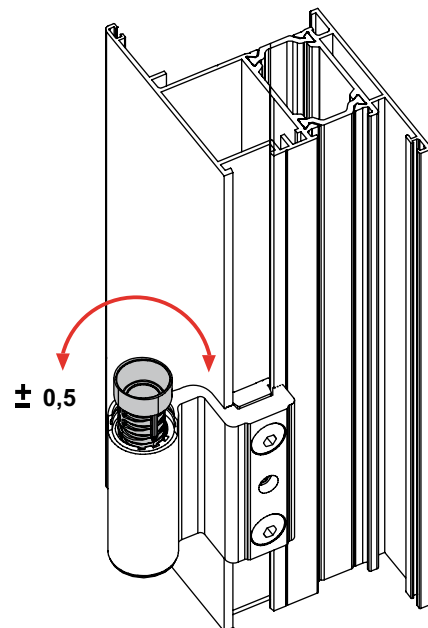
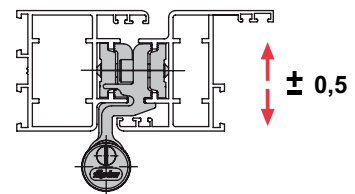
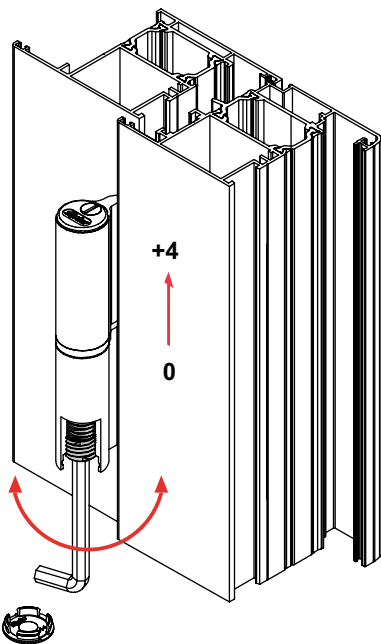
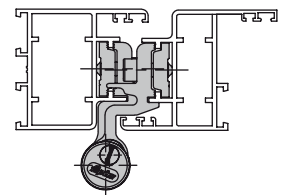
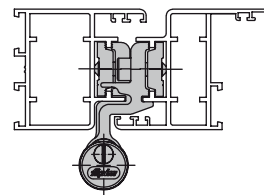
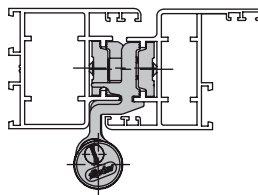
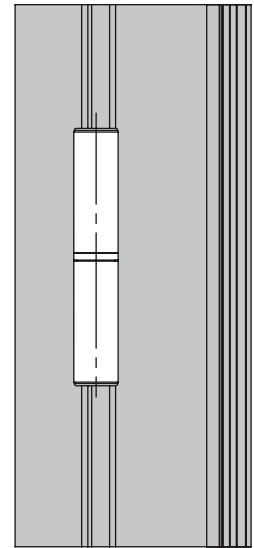
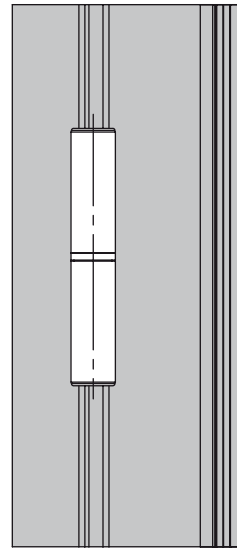
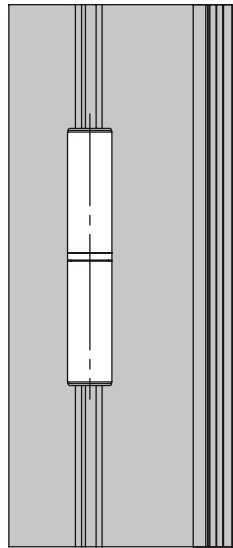
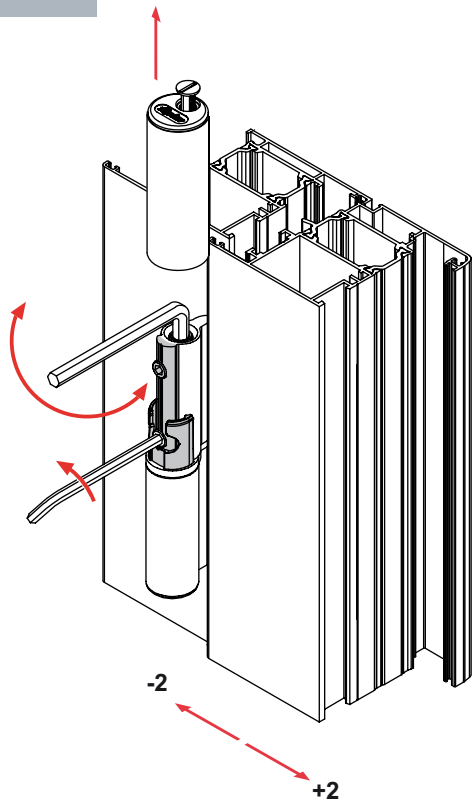
5690



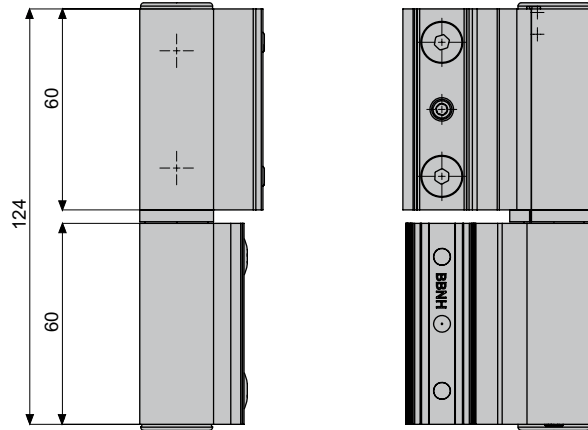
5690
100


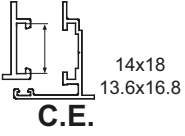
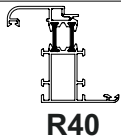



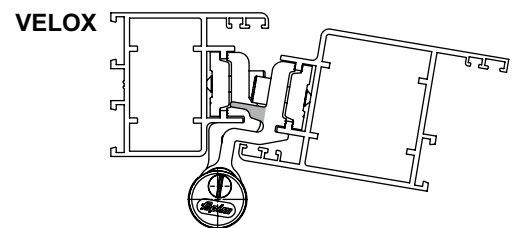
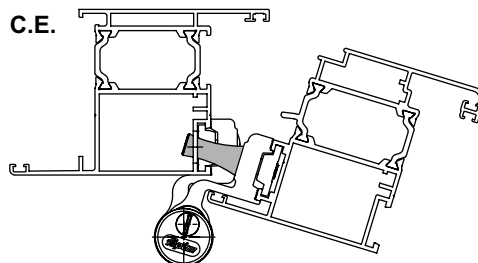
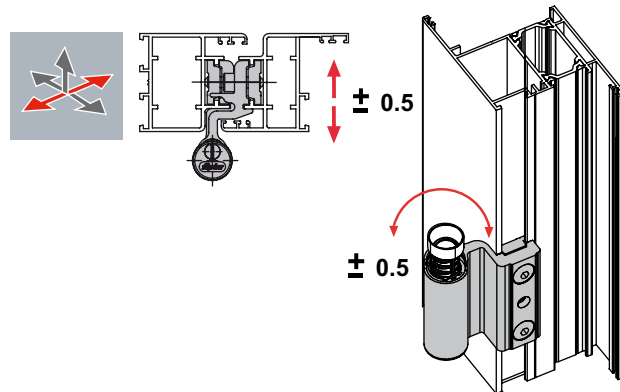
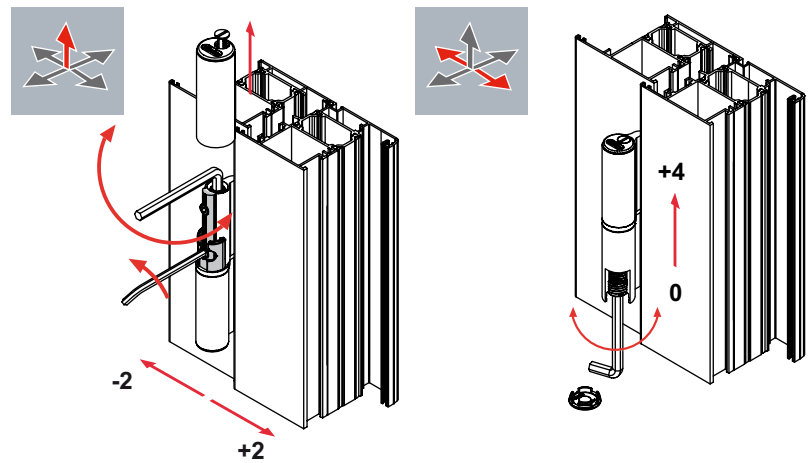


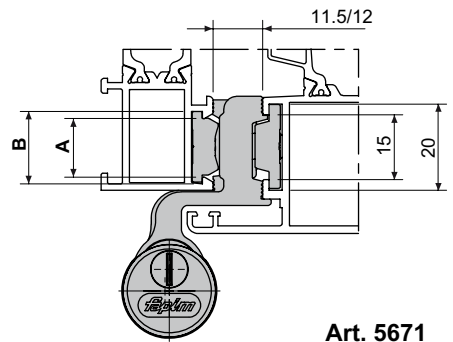
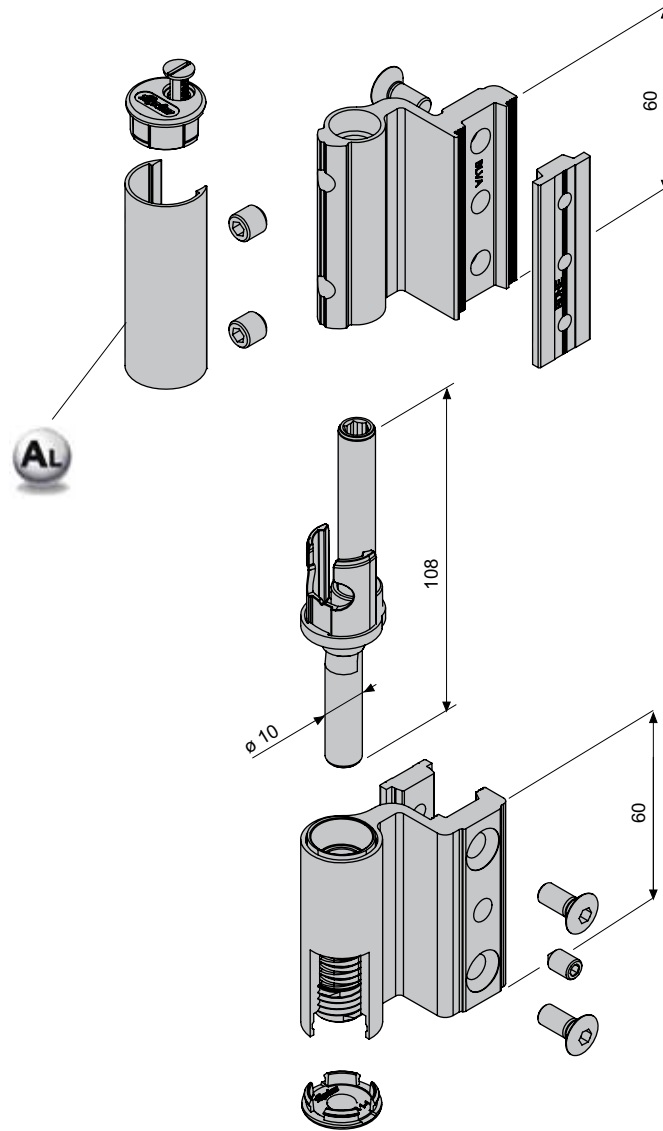


5671
 5671T
 5672
 5672T
 5675
 5681



	AxB	
5671	 14x18	20
5671T	C.E.	
5672	 14x18 13.6x16.8	20
5672T	C.E.	
5675	 R40	20
5681	 Velox 17mm	20

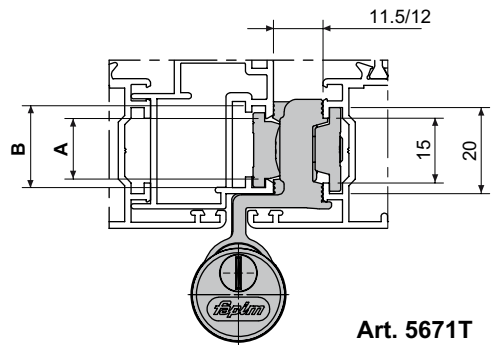




**5671
5671T
5672
5672T
5675
5681**

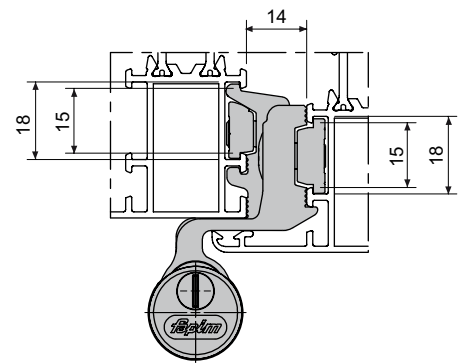
C.E.

**Art. 5671
Art. 5672**



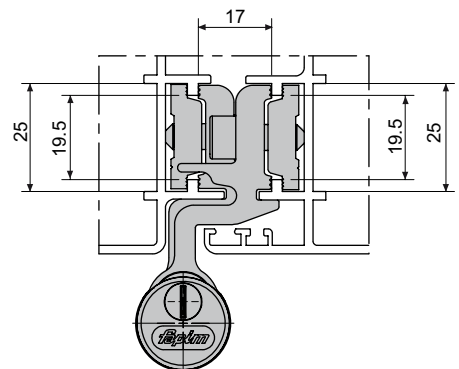
C.E.

**Art. 5671T
Art. 5672T**



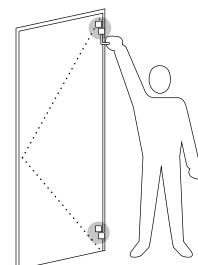
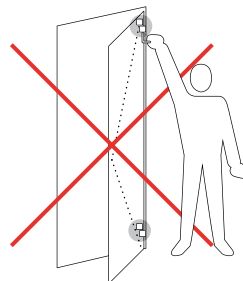
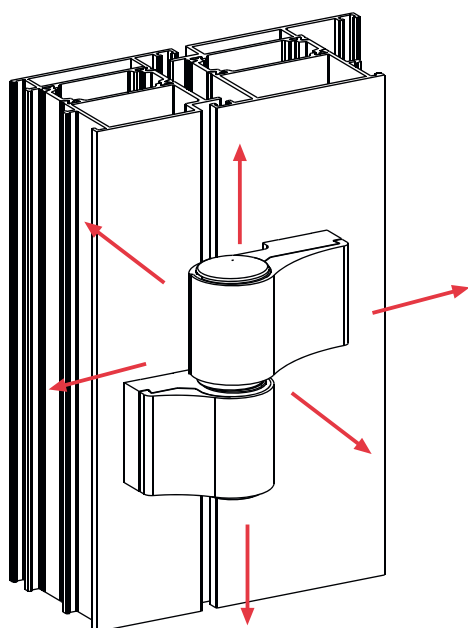
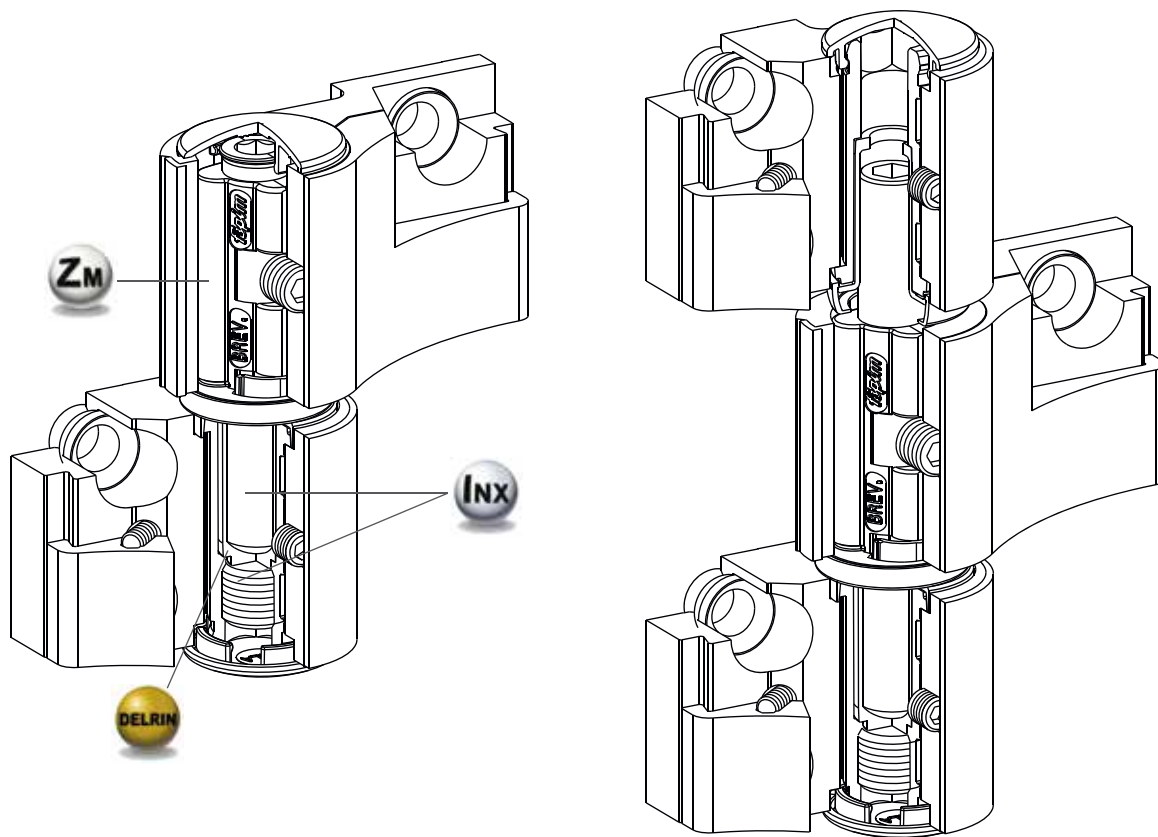
R40

Art. 5675

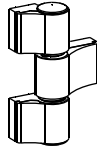
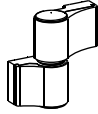


Velox

Art. 5681



LOIRA +



$41 \leq l \leq 99$

CE 0425
EN 1935:02
4 7 7 0 1 4 1 14

160 Kg

$l=106$

CE 0425
EN 1935:02
4 7 6 0 1 4 1 13

120 Kg

$41 \leq l \leq 99$

CE 0425
EN 1935:02
4 7 7 0 1 4 0 14

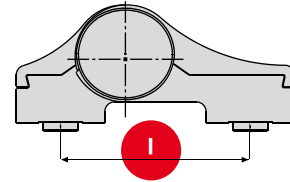
160 Kg

$l=106$

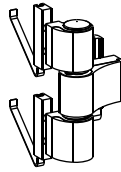
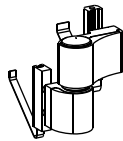
CE 0425
EN 1935:02
4 7 6 0 1 4 0 13

120 Kg

CE 0425
EN 1935:02



LOIRA + T.R



$53 \leq l \leq 60$

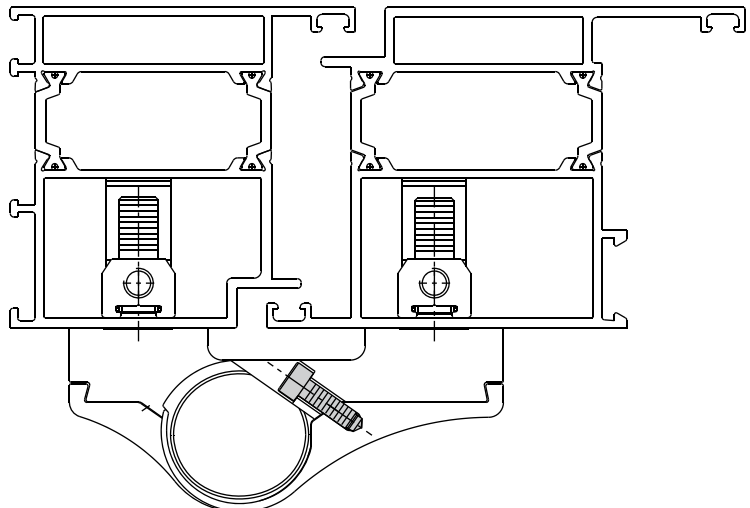
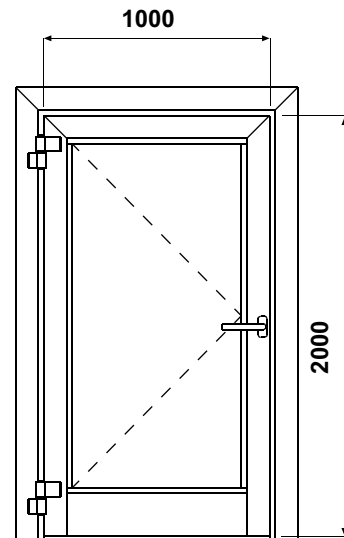
CE 0425
EN 1935:02
4 7 5 0 1 4 1 12

100 Kg

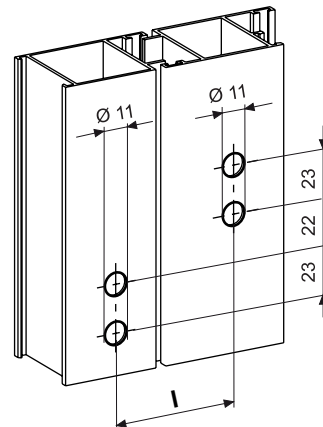
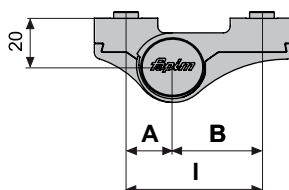
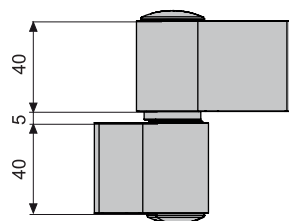
$l=53$


CE 0425
EN 1935:02
4 7 6 0 1 4 1 13

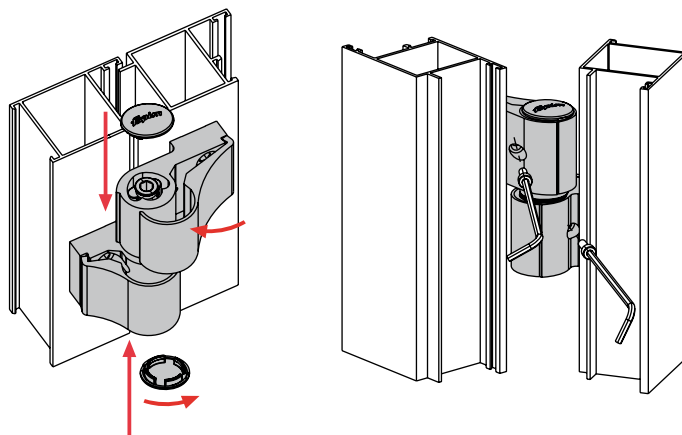
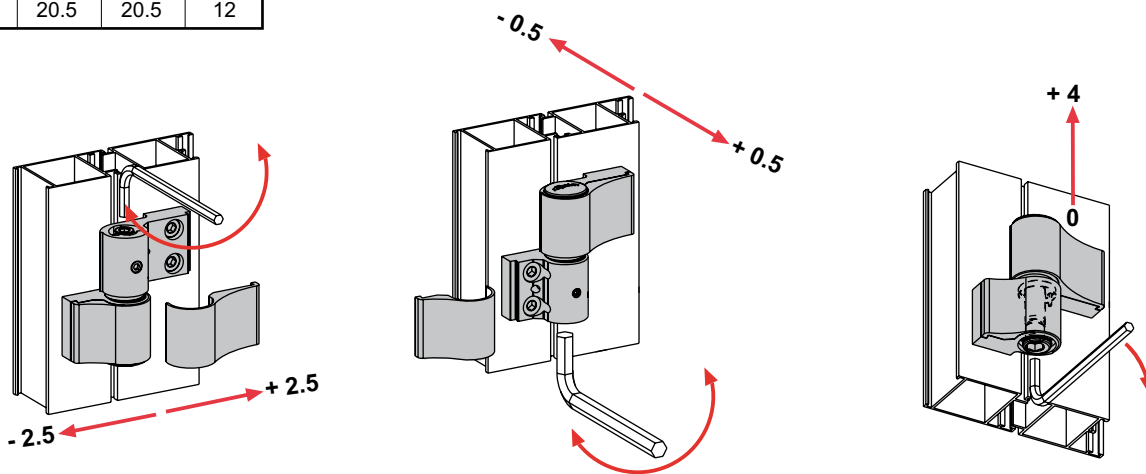
120 Kg

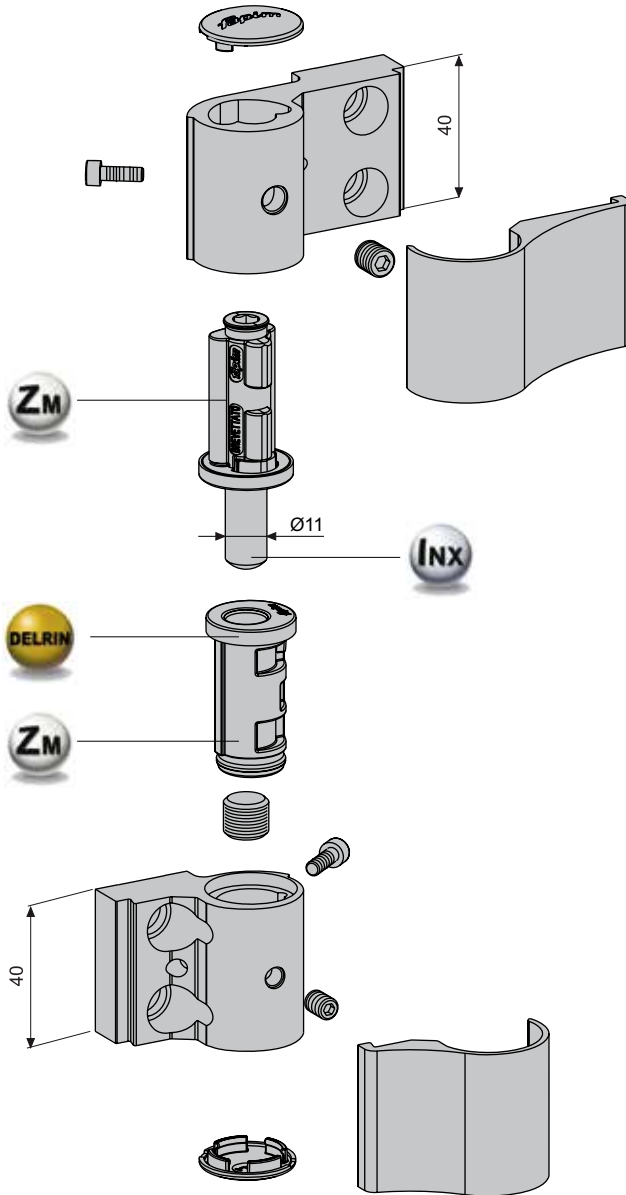


- 7000
- 7000i
- 7010
- 7010i
- 7020
- 7030
- 7040
- 7040i
- 7050
- 7050i
- 7060
- 7070
- 7090

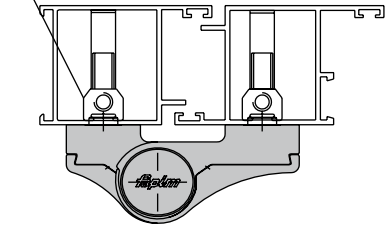


	I (mm)	A (mm)	B (mm)	
7000	60	20.5	39.5	12
7000i	60	20.5	39.5	50
7010	67	20.5	46.5	12
7010i	67	20.5	46.5	50
7020	79	39.5	39.5	12
7030	80	20.5	59.5	12
7040	86	39.5	46.5	12
7040i	86	39.5	46.5	50
7050	93	46.5	46.5	12
7050i	93	46.5	46.5	50
7060	99	39.5	59.5	12
7070	106	46.5	59.5	12
7090	41	20.5	20.5	12

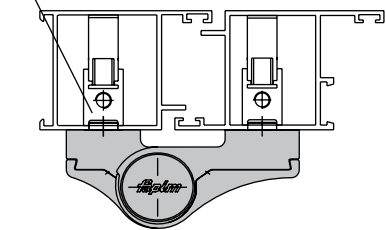




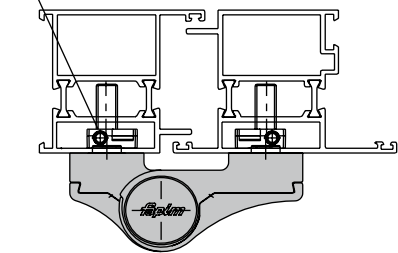
Art. 6623
 Art. 6624



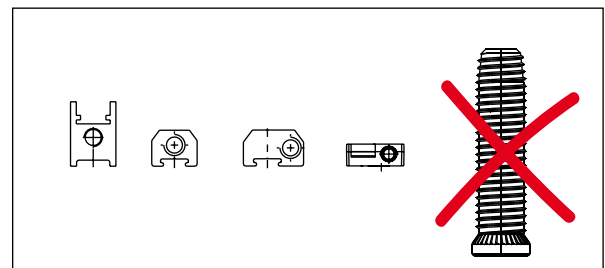
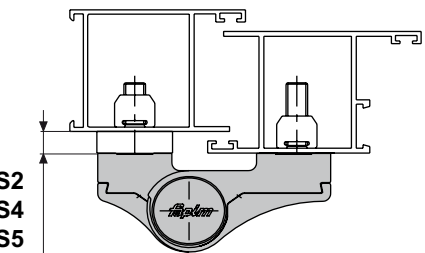
Art. 6633N



Art. 6620Ni
 Art. 6620Ai

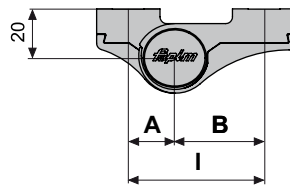
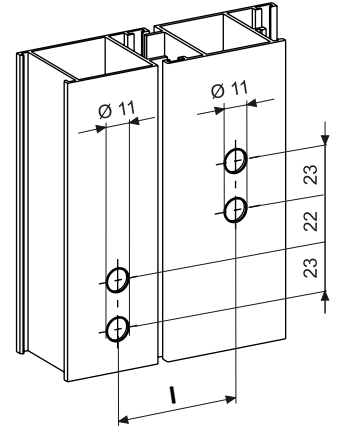
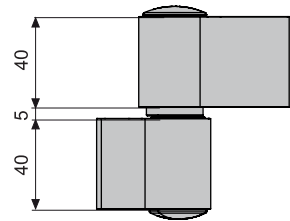



Art. 6666S2
 Art. 6666S4
 Art. 6666S5
 Art. 6666S7
 Art. 6666S8
 Art. 6666S85
 Art. 6666S9
 Art. 6666S10
 Art. 6666T

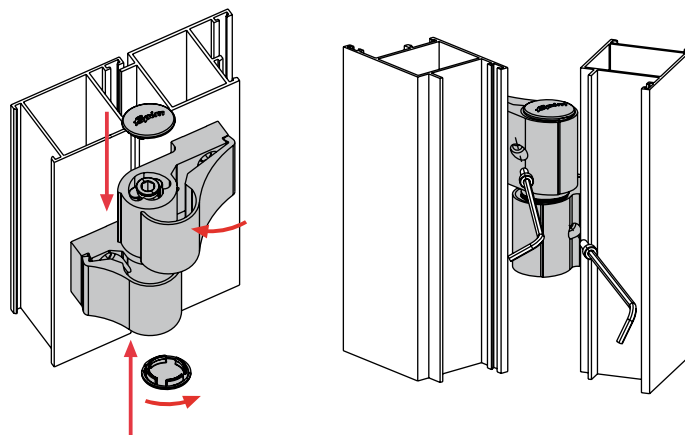
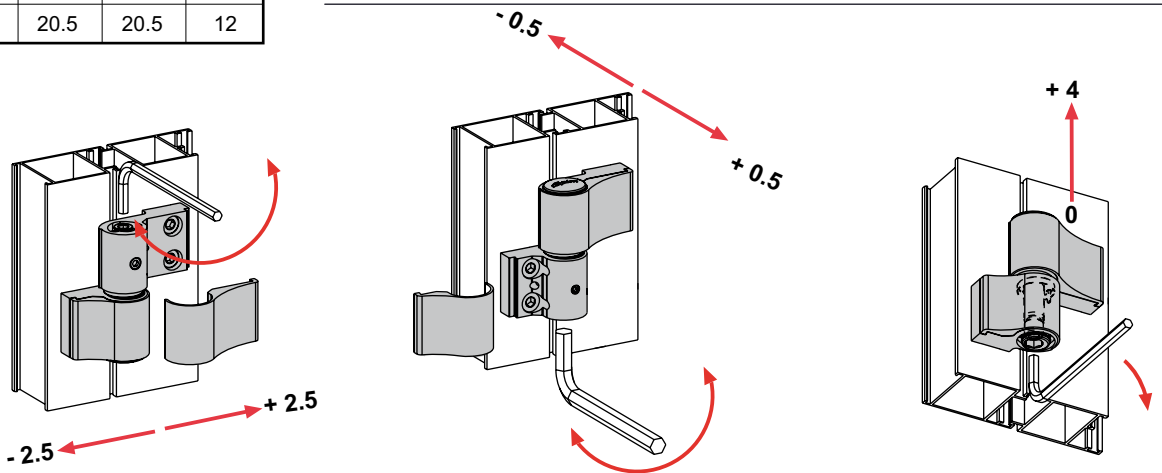


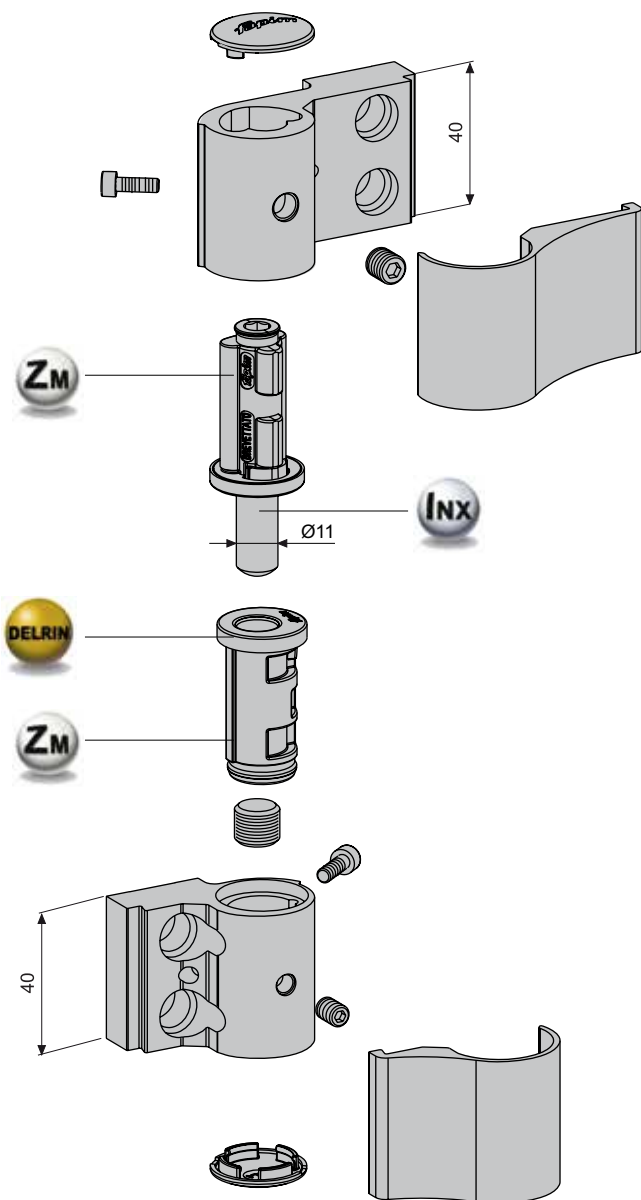
- 7000
- 7000I
- 7010
- 7010I
- 7020
- 7030
- 7040
- 7040I
- 7050
- 7050I
- 7060
- 7070
- 7090

- 7000V
- 7000Vi
- 7010V
- 7010Vi
- 7020V
- 7030V
- 7040V
- 7040Vi
- 7050V
- 7050Vi
- 7060V
- 7070V
- 7090V

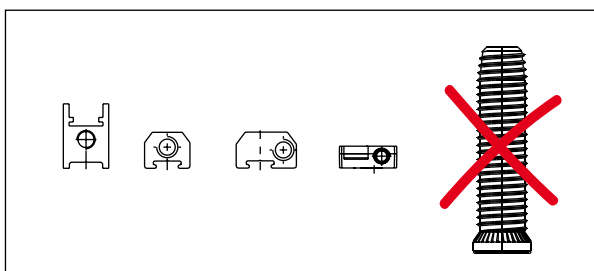
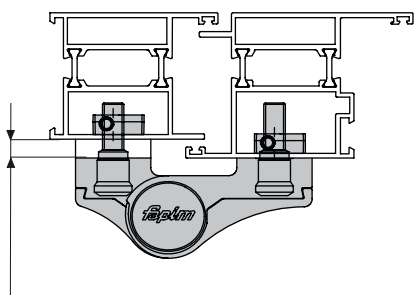


	I (mm)	A (mm)	B (mm)	
7000V	60	20.5	39.5	12
7000Vi	60	20.5	39.5	50
7010V	67	20.5	46.5	12
7010Vi	67	20.5	46.5	50
7020V	79	39.5	39.5	12
7030V	80	20.5	59.5	12
7040V	86	39.5	46.5	12
7040Vi	86	39.5	46.5	50
7050V	93	46.5	46.5	12
7050Vi	93	46.5	46.5	50
7060V	99	39.5	59.5	12
7070V	106	46.5	59.5	12
7090V	41	20.5	20.5	12

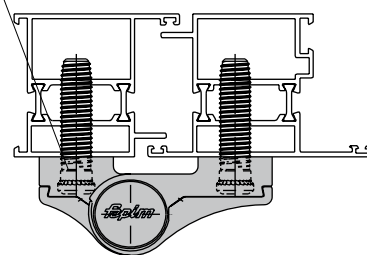




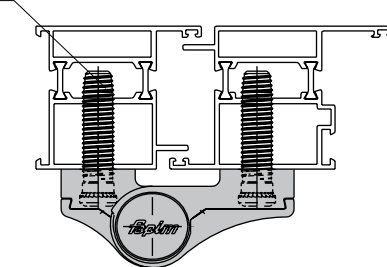
- Art. 6666S2
- Art. 6666S4
- Art. 6666S5
- Art. 6666S7
- Art. 6666S8
- Art. 6666S85
- Art. 6666S9
- Art. 6666S10
- Art. 6666T



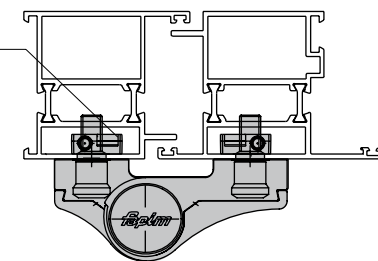
- Art. 6603A
- Art. 6604A
- Art. 6605A
- Art. 6603i
- Art. 6604i
- Art. 6605i
- Art. 6603Xi
- Art. 6604Xi



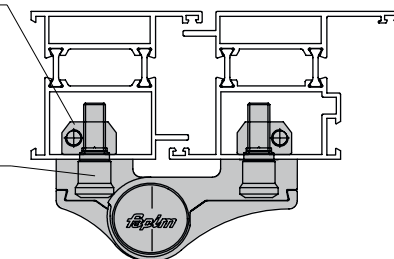
- Art. 6603A
- Art. 6604A
- Art. 6605A
- Art. 6603i
- Art. 6604i
- Art. 6605i
- Art. 6603Xi
- Art. 6604Xi



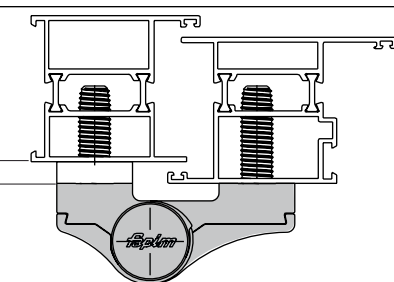
- Art. 6620Vi



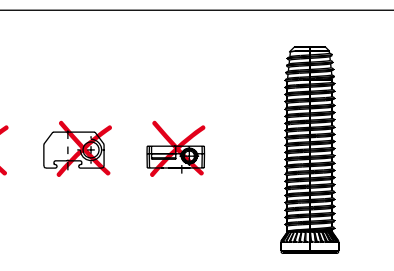
- Art. 6623
- Art. 6665AMi
- Art. 6624
- Art. 6665Bmi



- Art. 6663AV
- Art. 6663BVi
- Art. 6663CV
- Art. 6663DVi

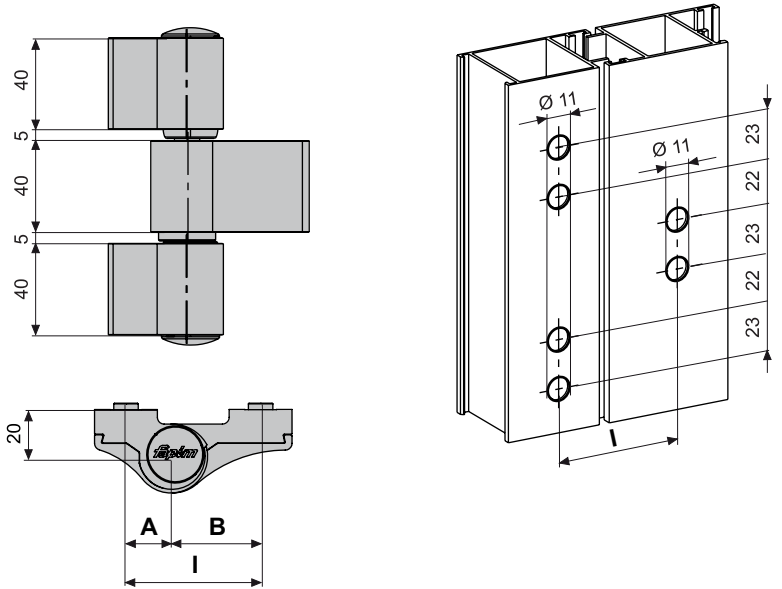



- Art. 6607A
- Art. 6607B
- Art. 6607C
- Art. 6607D
- Art. 6607E
- Art. 6607F
- Art. 6607G
- Art. 6607H
- Art. 6607T

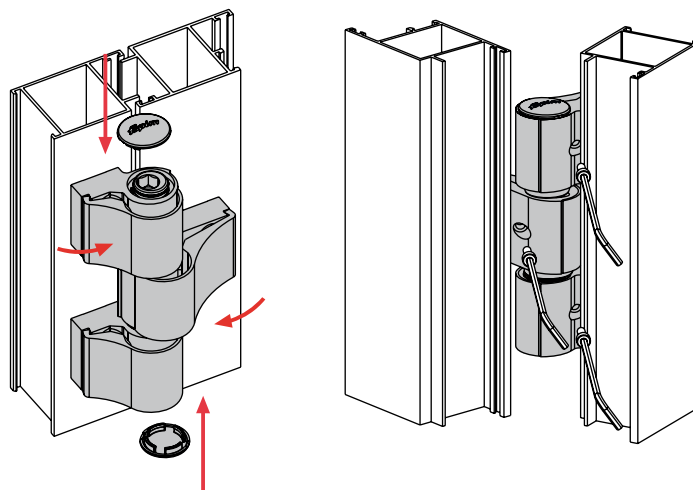
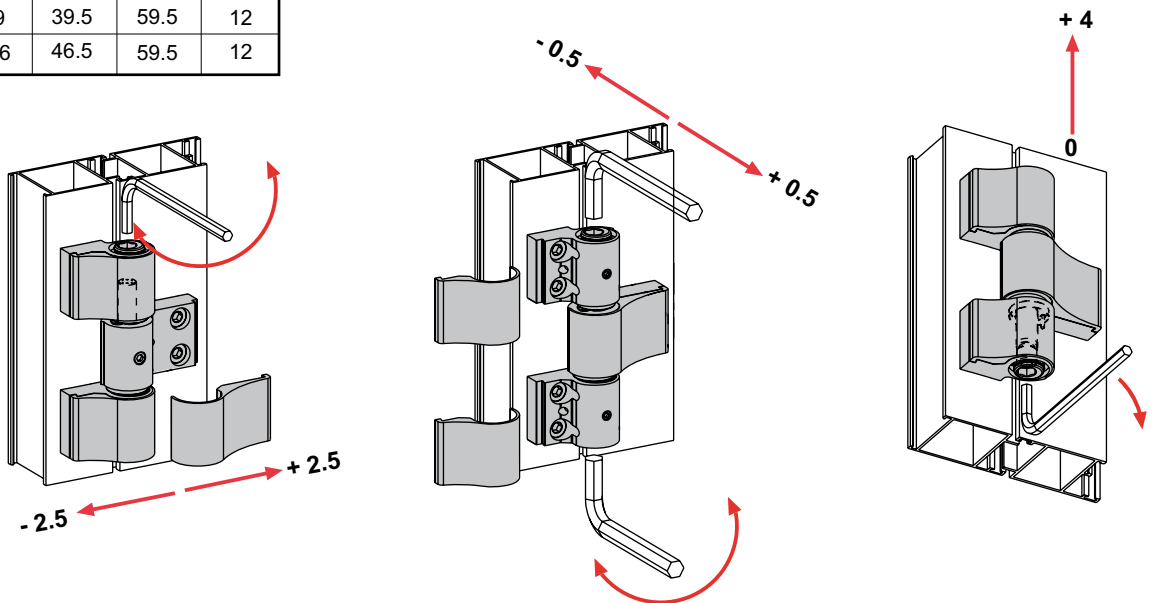


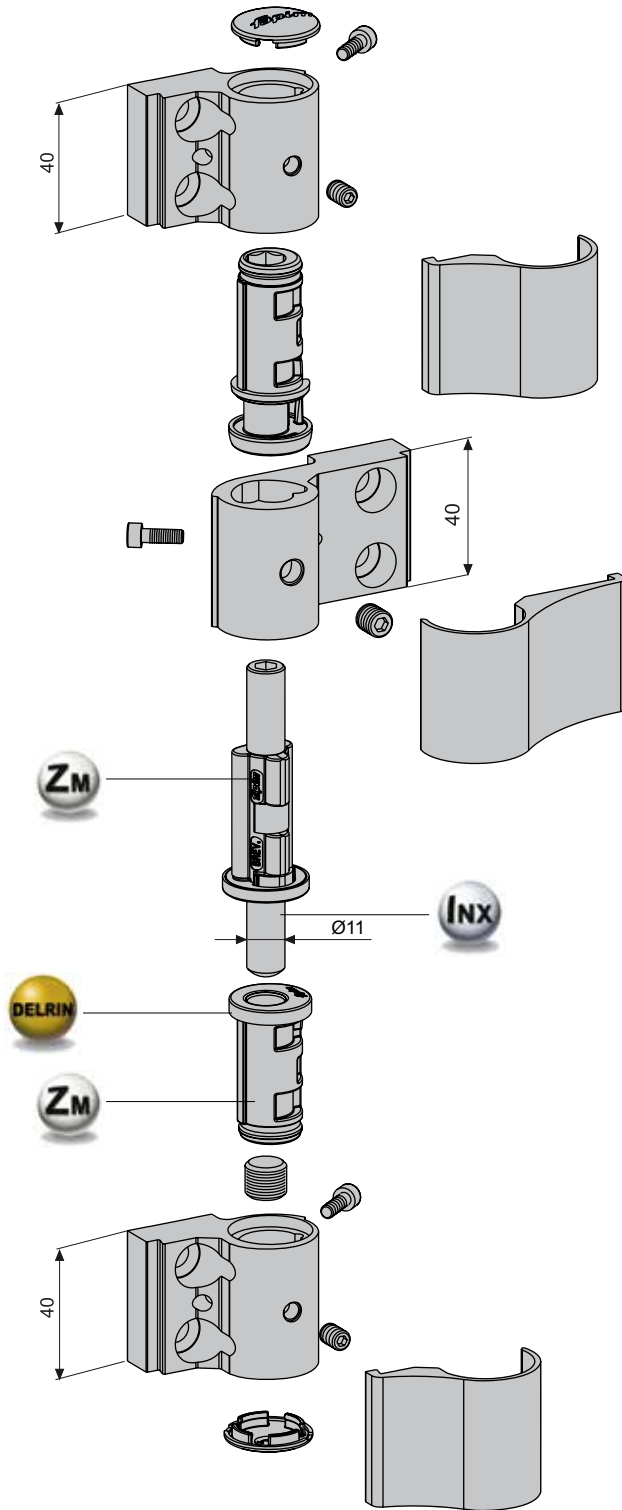
- 7000V
- 7000Vi
- 7010V
- 7010Vi
- 7020V
- 7030V
- 7040V
- 7040Vi
- 7050V
- 7050Vi
- 7060V
- 7070V
- 7090V

- 7003
- 7013
- 7013i
- 7023
- 7033
- 7043
- 7053
- 7063
- 7073

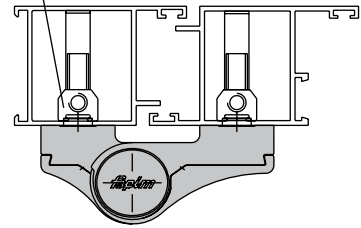


	I (mm)	A (mm)	B (mm)	
7003	60	20.5	39.5	12
7013	67	20.5	46.5	12
7013i	67	20.5	46.5	50
7023	79	39.5	39.5	12
7033	80	20.5	59.5	12
7043	86	39.5	46.5	12
7053	93	46.5	46.5	12
7063	99	39.5	59.5	12
7073	106	46.5	59.5	12

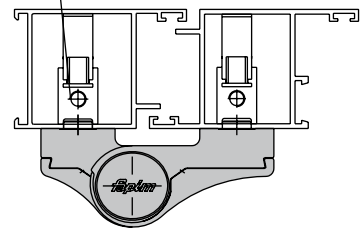




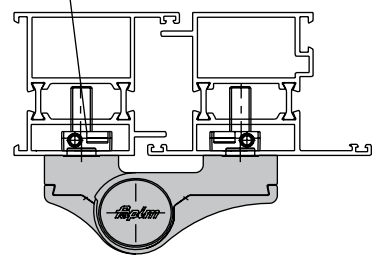
Art. 6625
 Art. 6626



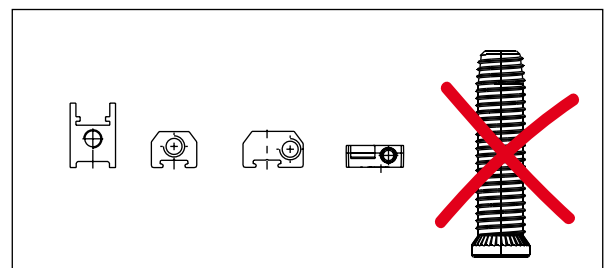
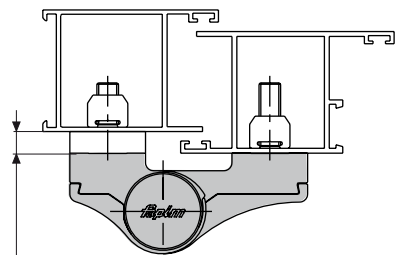
Art. 6643N



Art. 6620Ai
 Art. 6621Ni
 Art. 6621Ai

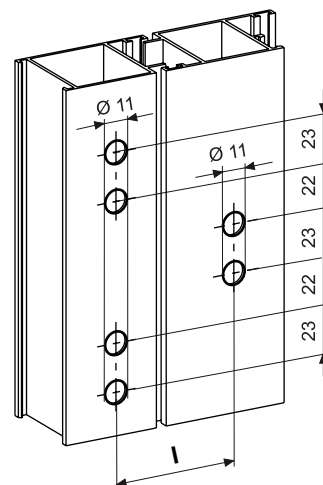
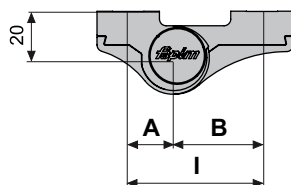
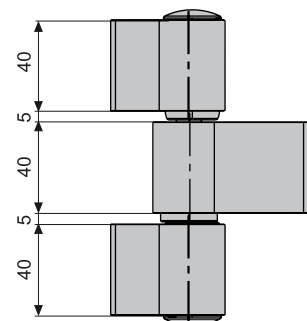



Art. 6666S2
 Art. 6666S4
 Art. 6666S5
 Art. 6666S7
 Art. 6666S8
 Art. 6666S85
 Art. 6666S9
 Art. 6666S10
 Art. 6666T

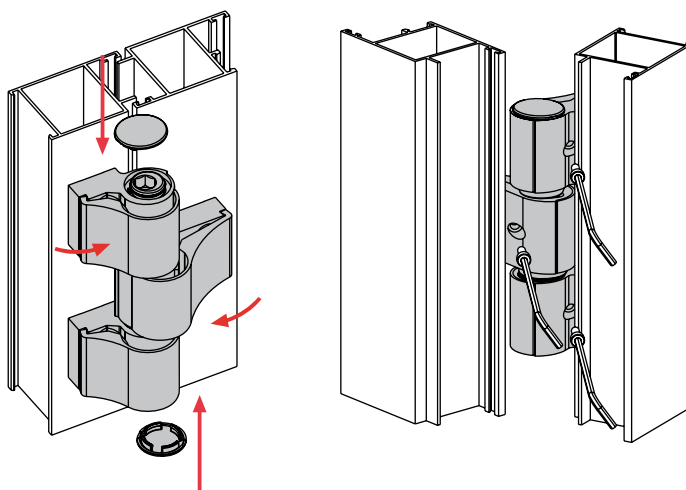
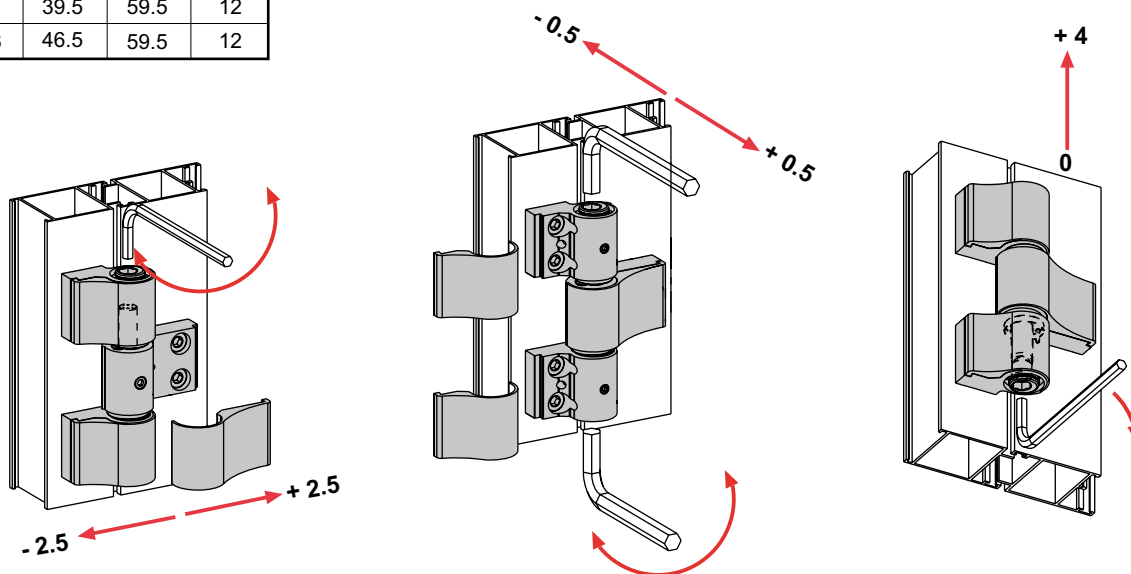


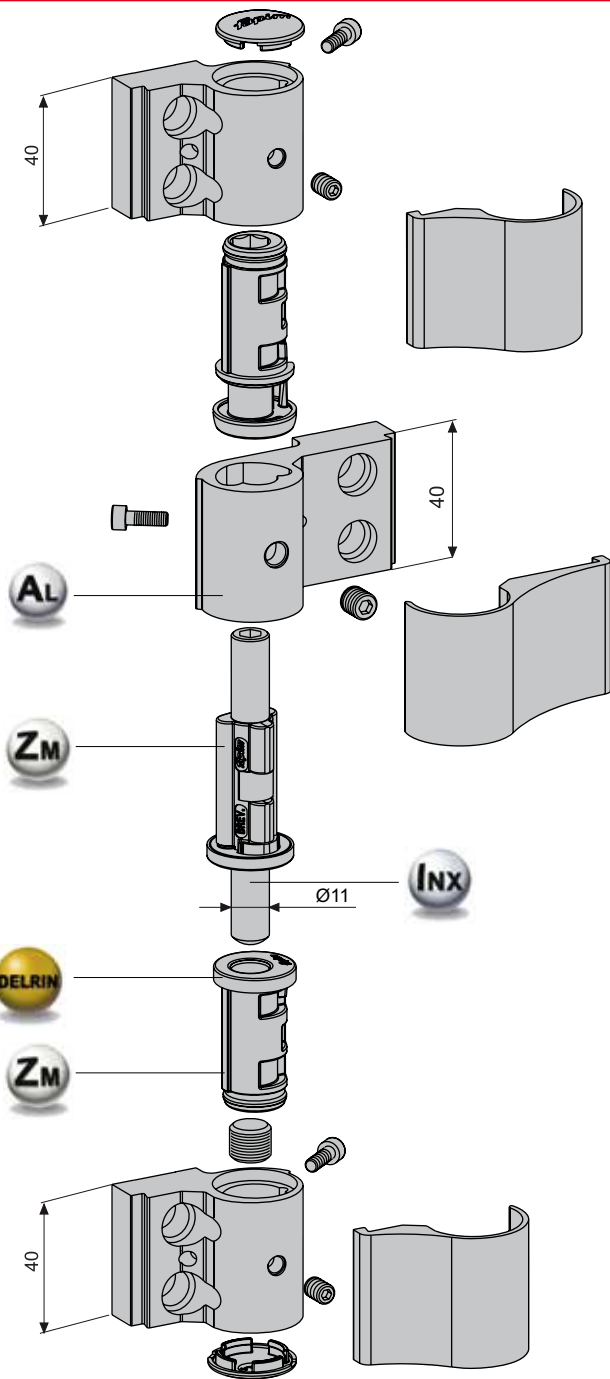
7003
 7013
 7013i
 7023
 7033
 7043
 7053
 7063
 7073

- 7003V
- 7013V
- 7013Vi
- 7023V
- 7033V
- 7043V
- 7053V
- 7063V
- 7073V

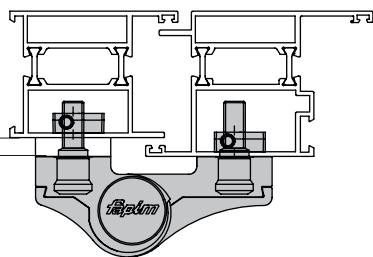


	I (mm)	A (mm)	B (mm)	
7003V	60	20.5	39.5	12
7013V	67	20.5	46.5	12
7013Vi	67	20.5	46.5	50
7023V	79	39.5	39.5	12
7033V	80	20.5	59.5	12
7043V	86	39.5	46.5	12
7053V	93	46.5	46.5	12
7063V	99	39.5	59.5	12
7073V	106	46.5	59.5	12

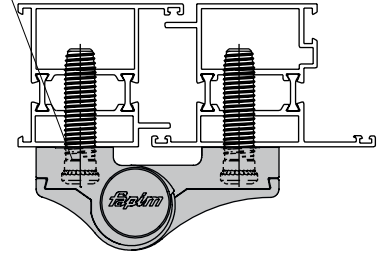




- Art. 6666S2
- Art. 6666S4
- Art. 6666S5
- Art. 6666S7
- Art. 6666S8
- Art. 6666S85
- Art. 6666S9
- Art. 6666S10
- Art. 6666T

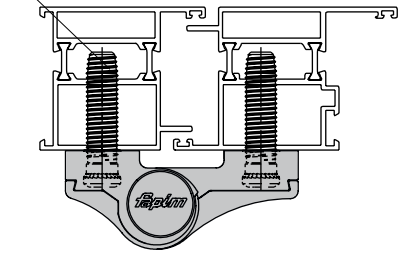


- Art. 6603B
- Art. 6604B
- Art. 6605B
- Art. 6603i
- Art. 6604i
- Art. 6605i
- Art. 6603Xi
- Art. 6604Xi

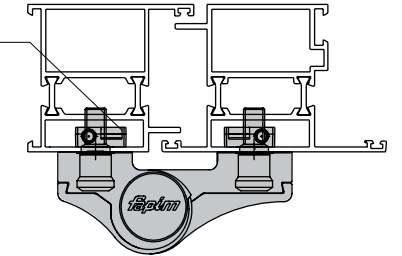


- 7003V
- 7013V
- 7013Vi
- 7023V
- 7033V
- 7043V
- 7053V
- 7063V
- 7073V

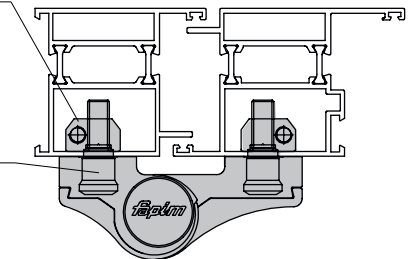
- Art. 6603B
- Art. 6604B
- Art. 6605B
- Art. 6603i
- Art. 6604i
- Art. 6605i
- Art. 6603Xi
- Art. 6604Xi



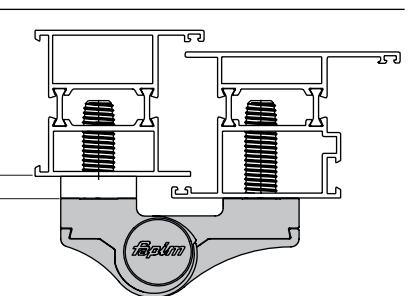
- Art. 6621Vi



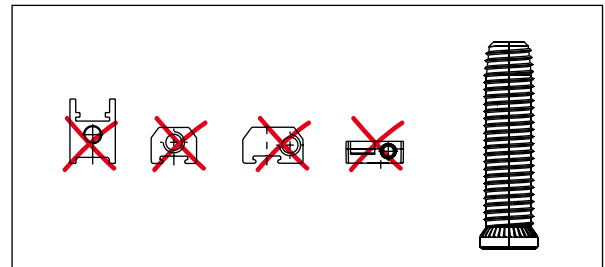
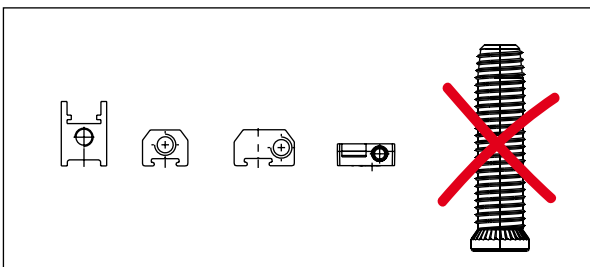
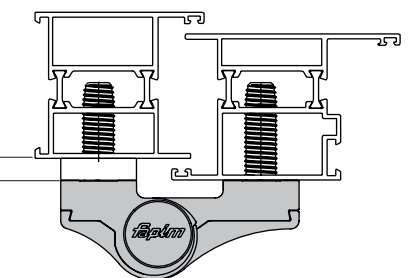
- Art. 6625
- Art. 6665CM
- Art. 6626
- Art. 6665DM



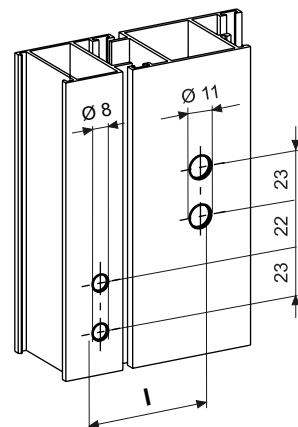
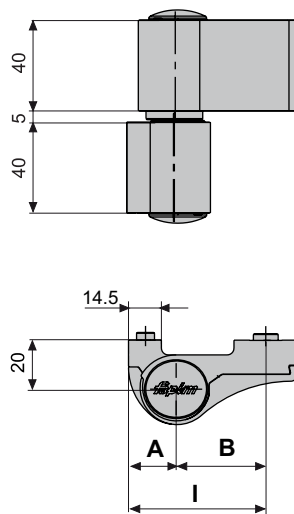
- Art. 6663AV
- Art. 6663BVi
- Art. 6663CV
- Art. 6663DVi




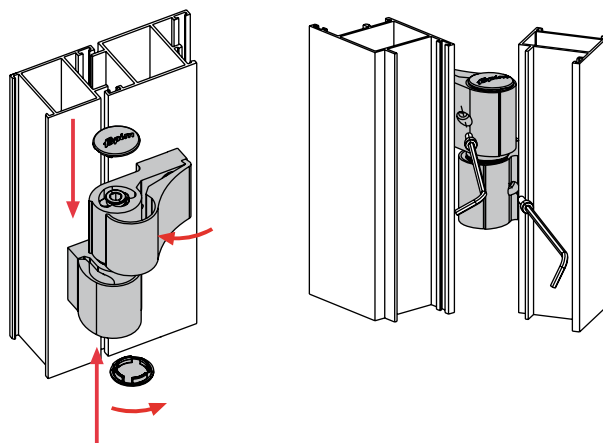
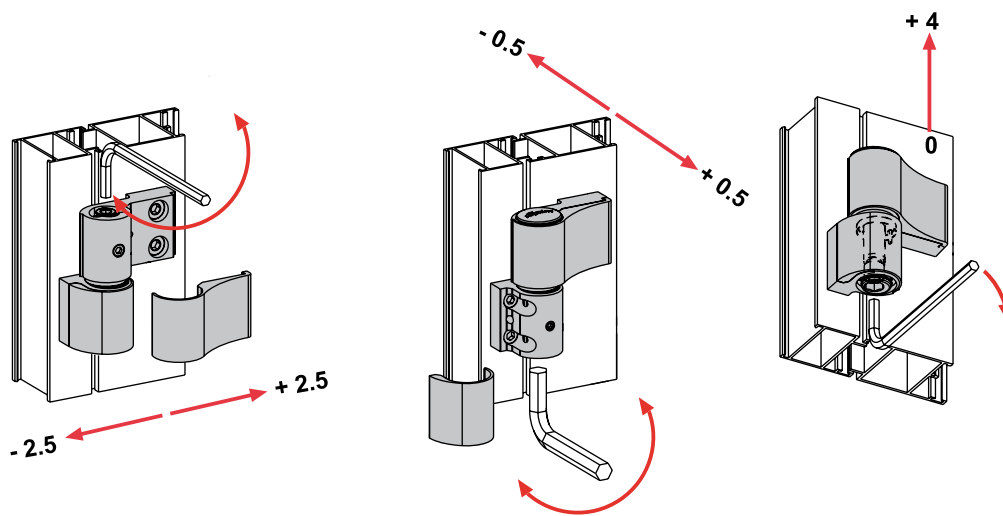
- Art. 6607A
- Art. 6607B
- Art. 6607C
- Art. 6607D
- Art. 6607E
- Art. 6607F
- Art. 6607G
- Art. 6607H
- Art. 6607T



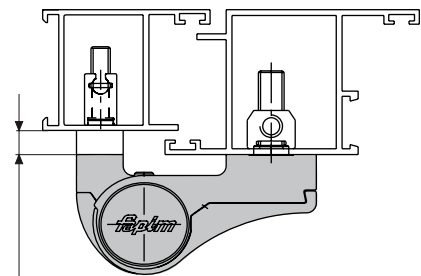
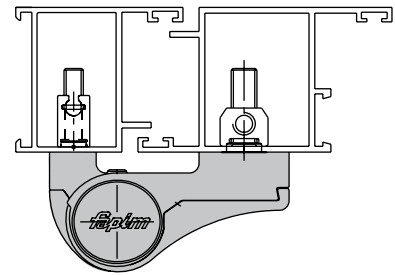
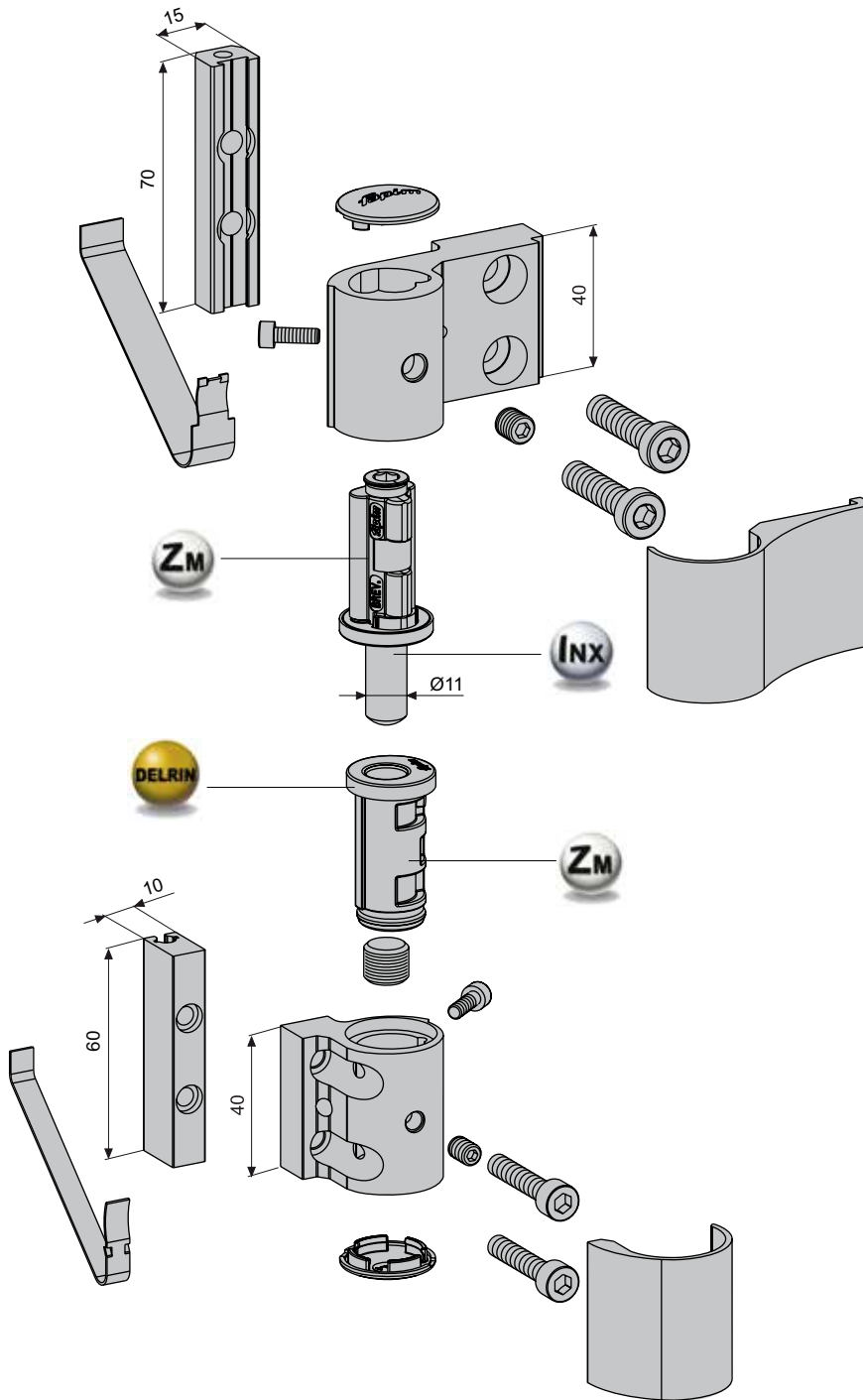
7100
7100i
7110
7120



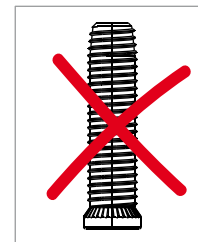
	I (mm)	A (mm)	B (mm)	
7100	53	13.5	39.5	12
7100i	53	13.5	39.5	50
7110	60	13.5	46.5	12
7120	73	13.5	59.5	12



7100
 7100I
 7110
 7120



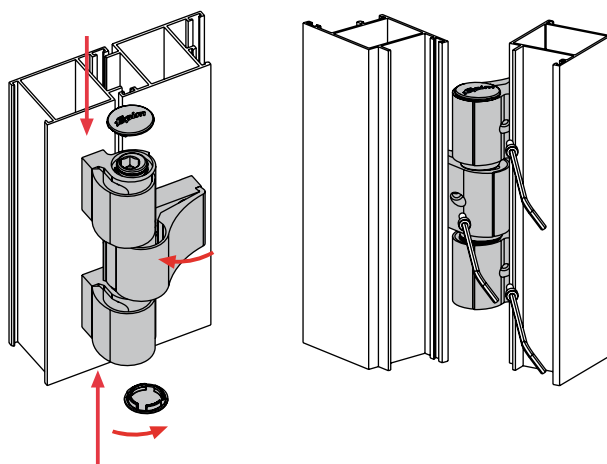
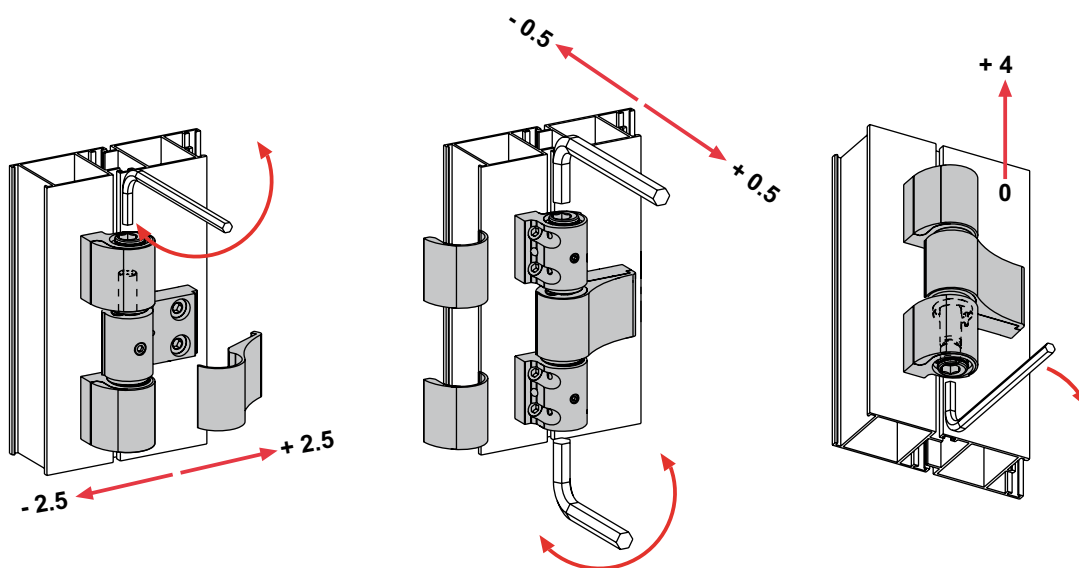
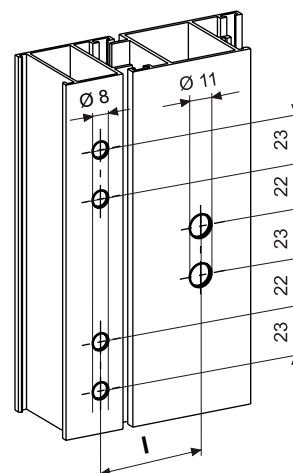
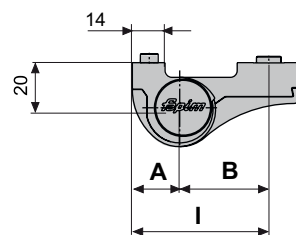
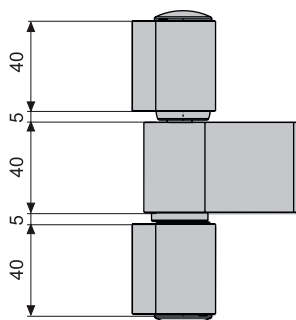
- Art. 6669S2
- Art. 6669S4
- Art. 6669S5
- Art. 6669S7
- Art. 6699S8
- Art. 6669S85
- Art. 6669S9
- Art. 6669S10



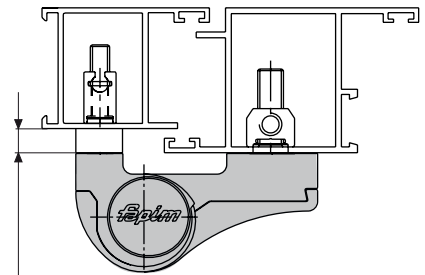
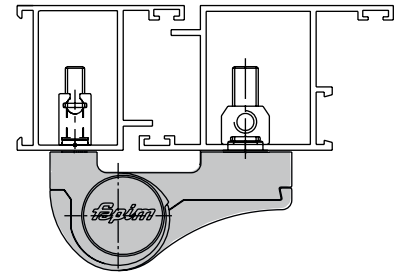
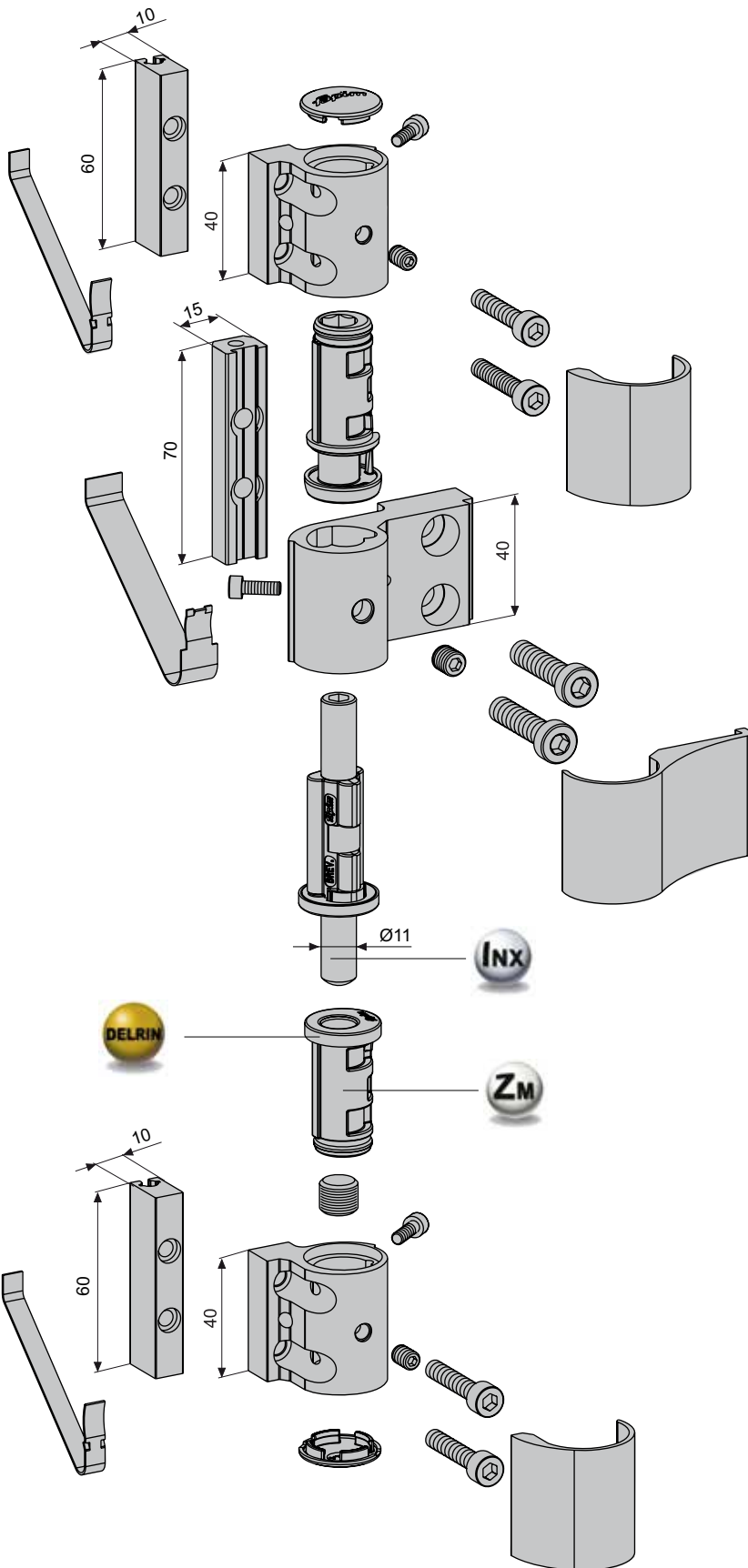
7103



	I (mm)	A (mm)	B (mm)	
7103	53	13.5	39.5	12



7103



- Art. 6669S2
- Art. 6669S4
- Art. 6669S5
- Art. 6669S7
- Art. 6699S8
- Art. 6669S85
- Art. 6699S9
- Art. 6669S10

